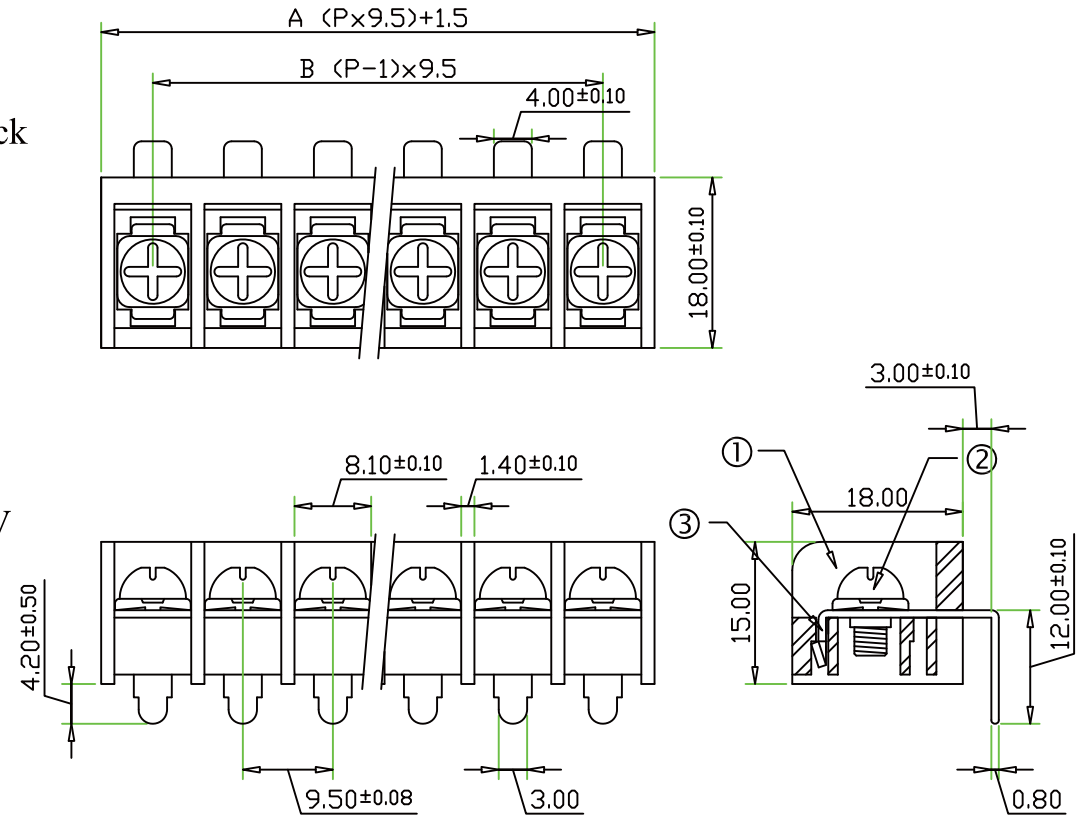


# SPECIFICATIONS

- ① Housing Material: Polyamide 66(UL94V-0), Black
- ② Screw: M3.5 Nickel Plated Steel
- ③ Terminals: Tin Plated Brass

Screws Torque: 10 In-Lb  
 Wire Range: 14~22 AWG  
 Rated: 15 Amperes.AC250V  
 Operation Temperature: -55°C~+95°C  
 Insulation withstands volt: AC2000V min  
 Insulation resistance: >1000MΩ or more at DC500V



Tolerance ± 0.5

POLE	2	3	4	5	6	7	8	9	10	11	12	13	14	15			
A	20.4	29.9	39.4	48.9	58.4	67.9	77.4	86.9	96.4	105.9	115.4	124.9	134.4	143.9			
B	9.5	19	28.5	38	47.5	57	66.5	76	85.5	95	104.5	114	123.5	133			
POLE	16	17	18	19	20	21	22	23	24	25	26	27	28	29	30	31	32
A	153.4	162.9	172.4	181.9	191.4	200.9	210.4	219.9	229.4	238.9	248.4	257.9	267.4	276.9	286.4	295.9	305.4
B	142.5	152	161.5	171	180.5	190	199.5	209	218.5	228	237.5	247	256.5	266	275.5	285	294.5

RoHS Compliant

TOLERANCES ARE



煜倫股份有限公司

www.morethanall.com

DRAWING BY CY

CHECKED BY GENIUS

UNIT / mm SCALE 1 : 1

DATE

SIZE A4

X. ±  
.X ±  
.XX ±  
.XXX ±  
ANG ±

P PROJECTION

照片框

ORDER INFORMATION

TBC095-R40-xx-LF

SERIES | LEADFREE  
02~12WAY  
TAB 4.0mm  
DIP 90°

DESCRIPTION: Barrier type terminal block