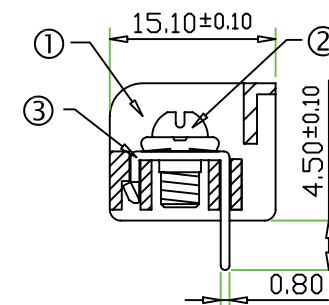
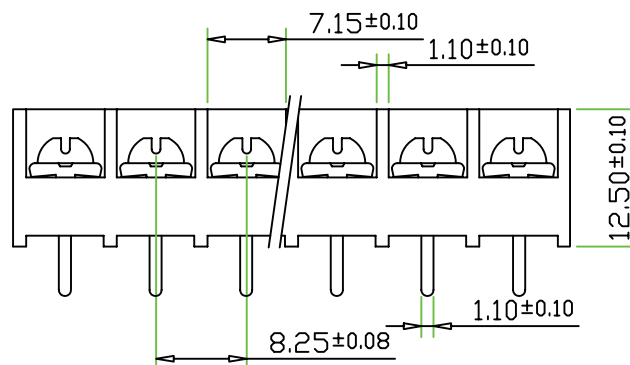
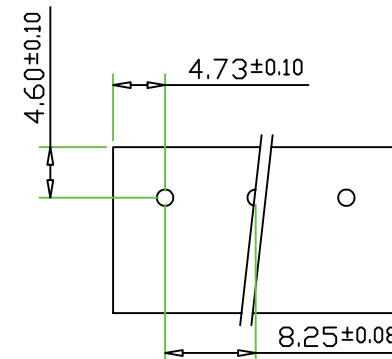
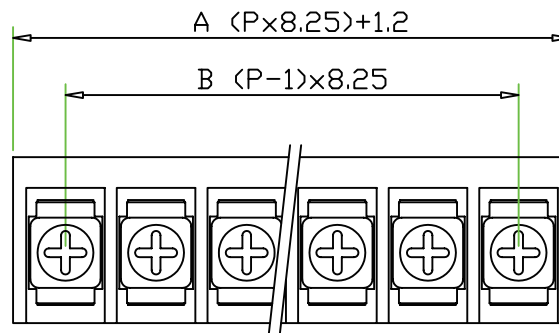


SPECIFICATIONS

- ① Housing Material: Polyamide 66(UL94V-0), Black
- ② Screw: M3.0 Nickel Plated Steel
- ③ Terminals: Tin Plated Brass

Screws Torque: 57 In-Lb
 Wire Range: 14~18 AWG
 Rated: 15 Amperes.AC250V
 Operation Temperature: -55°C~+95°C
 Insulation withstands volt: AC2000V min
 Insulation resistance: >1000MΩ or more at DC500V



Pole Size 2~32P

Tolerance ± 0.5

POLE	2	3	4	5	6	7	8	9	10	11	12	13	14	15							
A	17.7	25.95	34.2	42.45	50.7	58.95	67.2	75.45	83.7	91.95	100.2	108.45	116.7	124.95							
B	8.25	16.5	24.75	33	41.25	49.5	57.75	66	74.25	82.5	90.75	99	107.25	115.5							
POLE	16	17	18	19	20	21	22	23	24	25	26	27	28	29	30	31	32				
A	133.2	141.45	149.7	157.95	166.2	174.45	182.7	190.95	199.2	207.45	215.7	223.95	232.2	240.45	248.7	256.95	265.2				
B	123.75	132	140.25	148.5	156.75	165	173.25	181.5	189.75	198	206.25	214.5	222.75	231	239.25	247.5	255.75				

RoHS Compliant

TOLERANCES ARE

MORETHANALL
PCB CONNECTORS
Cable ASSEMBLIES

煜倫股份有限公司

www.morethanall.com

DRAWING BY CY

CHECKED BY GENIUS

UNIT/ mm SCALE 1:1

DATE

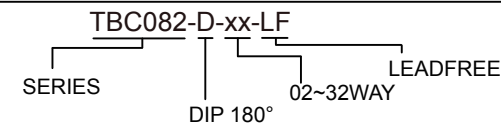
SIZE A4

PJECTION

X, ±
.X ±
.XX ±
.XXX ±
ANG ±



ORDER INFORMATION



DESCRIPTION: Barrier type terminal block