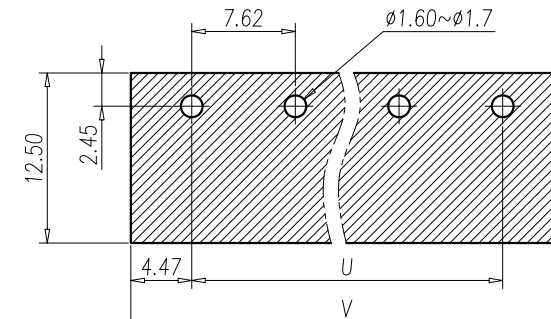


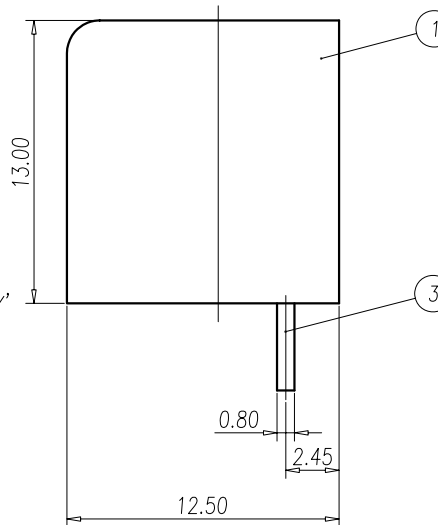
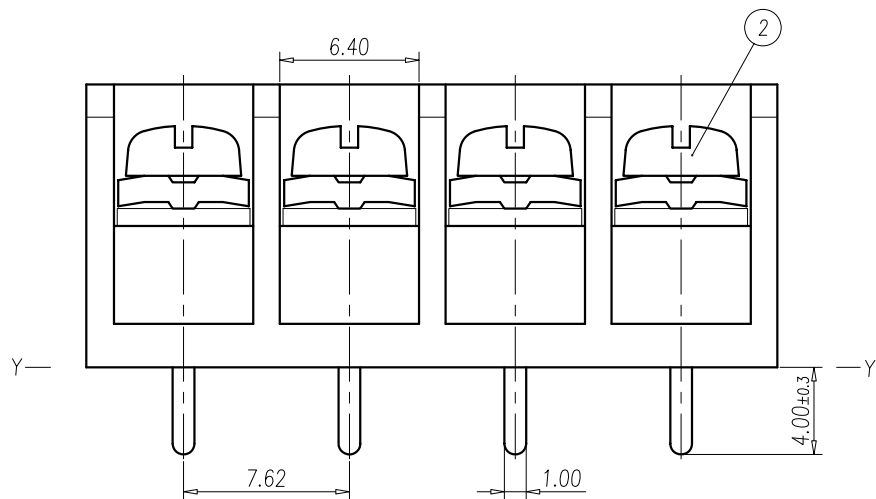
Normal Geometric Tolerancing				
—	//	≡	⊥	
0 to 100	0.2		0 to 10	0.2
over 100 to 150	0.3	0.3	over 10	0.3
over 150	0.5			
Total Pitch Tolerances		Normal dimension Tolerances		
0<U≤30	±0.20	0~30	±0.25	
30<U≤53	±0.25	over 30~53	±0.30	
53<U≤70	±0.30	over 53~70	±0.35	
70<U≤90	±0.35	over 70~90	±0.44	
90<U≤115	±0.44	over 90~115	±0.55	
115<U≤150	±0.55	over 115~150	±0.70	
150<U≤200	±0.70	over 150~200	±0.85	
200<U≤250	±0.85	over 200~250	±1.00	
250<U≤320	±1.00	over 250~320	±1.20	



P.C.B. LAYOUT

NOTES:

- Rating: 250V 6A
Pitch: 7.62 mm
- Insulation Withstands Voltage:
AC 2500V/MIN
- Insulation Resistance:
2000MΩ or more at DC500V
- Using Temperature Range:
-40°C ~ +130°C
- Screw Torque Value: 8 kgf-cm(MAX)
- Suitable Electric Wire: AWG 24~16
- RoHS Compliance
- X-X' Distortion: (1P~10P)±0.5 ; (11P~22P)±1.0
Y-Y' Distortion: (1P~10P)±0.5 ; (11P~22P)±1.0
- 目前仅能做到12P



P	2	3	4	5	6	7	8	9	10	11	
L	16.46	24.08	31.7	39.32	46.94	54.56	62.18	69.8	77.42	85.04	
P	12	13	14	15	16	17	18	19	20	21	22
L	92.66	100.28	107.9	115.52	123.14	130.76	138.38	146.0	153.62	161.24	168.86

ITEM	NAME OF PART	MATERIAL	NOTES
3	SOLDER PIN	COPPER ALLOY	Tin Plated
2	SCREW	STEEL	M3 Zn Plated
1	HOUSING	PBT	UL94-V0 Black

RoHS Compliant

TOLERANCES ARE

MORETHANALL
PCB CONNECTORS
Cable ASSEMBLIES

煜倫股份有限公司

www.morethanall.com

DRAWING BY CY

CHECKED BY GENIUS

UNIT / mm SCALE 1 : 1

DATE

SIZE A4

X, ±
.X ±
.XX ±
.XXX ±
ANG ±

PJECTION



ORDER INFORMATION

TBC076-D-xx-LF

SERIES | LEADFREE
02-22WAY
DIP 180°

DESCRIPTION: