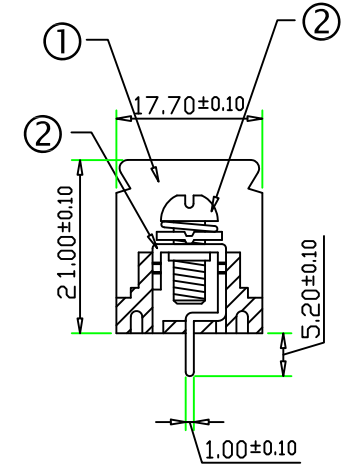
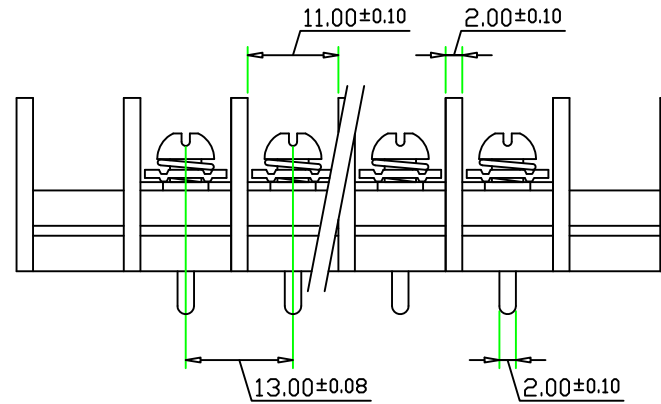
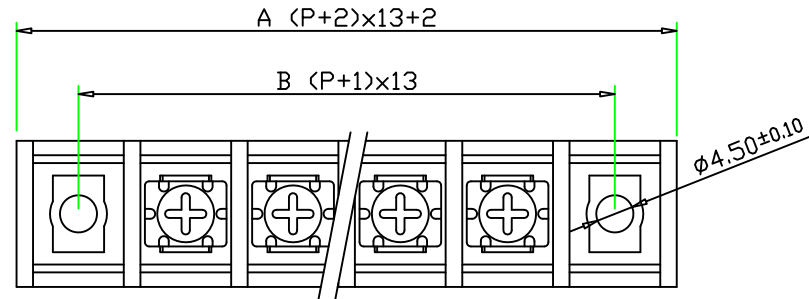


SPECIFICATIONS

- ① Housing Material: PA 66(UL94V-0), Black
- ② Screw: M4.0 Nickel Plated Steel
- ③ Terminals: Tin Plated Brass

Screws Torque: 12 In-Lb
 Wire Range: 8~20 AWG
 Rated: 50 Amperes.AC300V
 Operation Temperature: -55°C~+105°C
 Insulation withstands volt: AC2000V min
 Insulation resistance: >1000MΩ or more at DC500V



Tolerance ± 0.5

POLE	2	3	4	5	6	7	8	9	10	11	12	13	14	15
A	54	67	80	93	106	119	132	145	158	171	184	197	210	223
B	39	52	65	78	91	104	117	130	143	156	169	182	195	208
POLE	16	17	18	19	20	21	22	23	24	25				
A	236	249	262	275	288	301	314	327	340	353				
B	221	234	247	260	273	286	299	312	325	338				

RoHS Compliant

TOLERANCES ARE

MORETHANALL
 PCB CONNECTORS
 Cable ASSEMBLIES

DRAWING BY CY

CHECKED BY GENIUS

UNIT / mm SCALE 1 : 1

DATE

SIZE A4

X, ±
 .X ±
 .XX ±
 .XXX ±
 ANG ±

PJECTION

照片框

ORDER INFORMATION

TBB130-D-xx-LF

SERIES | LEADFREE
 02~25 WAY
 DIP 180°

煜倫股份有限公司

www.morethanall.com

DESCRIPTION: Barrier type terminal block