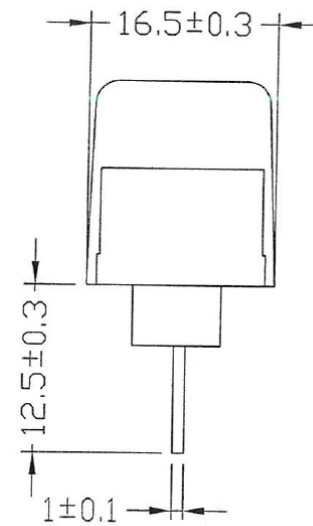
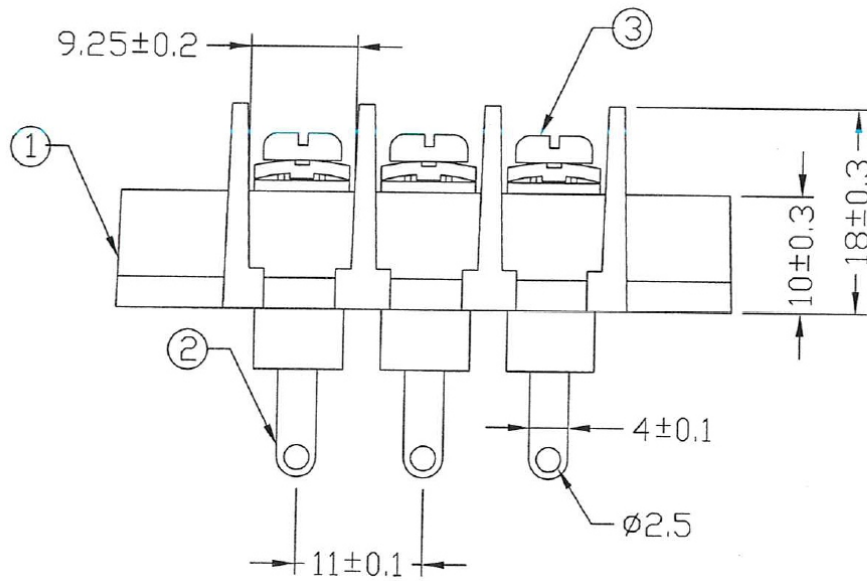


Current rating : 25Amp AC300V
 Insulation withstands volt : AC2000V min
 Insulation resistance : >2000MΩ DC500V
 Operation temperature : -40°C to +120°C

Poles	L(mm)	S(mm)
02	44.0	11.0
03	55.0	22.0
04	66.0	33.0
05	77.0	44.0
06	88.0	55.0
07	99.0	66.0
08	110	77.0
09	121	88.0
10	132	99.0
11	143	110
12	154	121
13	165	132
14	176	143
15	187	154
28	330	319



RoHS Compliant

TOLERANCES ARE

MORETHANALL
 PCB CONNECTORS
 Cable ASSEMBLIES

DRAWING BY CY

CHECKED BY GENIUS

UNIT / mm

SCALE 1 : 1

DATE

SIZE A4

PJECTION

X. ±
 .X ±
 .XX ±
 .XXX ±
 ANG ±

照片框

ORDER INFORMATION

TBB110-S4S5E-xx-LF

SERIES

LEADFREE
 02-28 WAY
 EAR
 STANDOFF 5mm
 SOLDER / 4.0mm TAB

煜倫股份有限公司

www.morethanall.com

DESCRIPTION: