

SPECIFICATIONS

BARRIER MATERIAL: THERMOPLASTIC (UL 94V-0).BLACK

TERMINALS: TIN PLATED BRASS

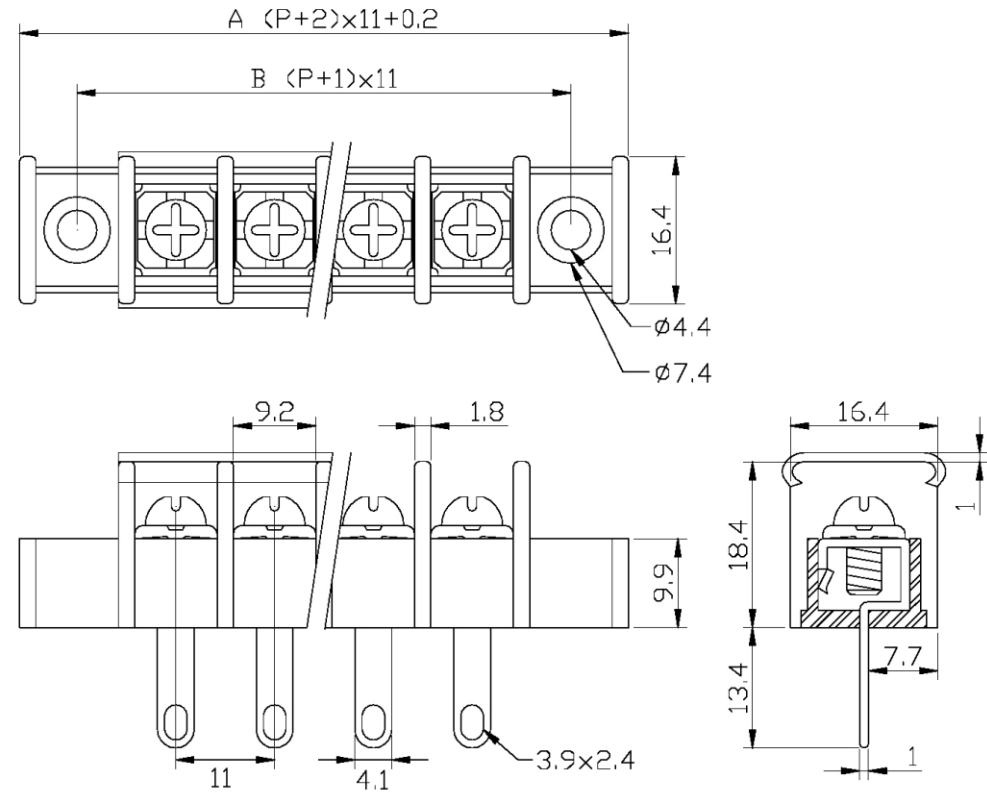
SCREW: NICKEL PLATED STEEL

WIRE RANGE: 12-22 STR

RATING: 25 AMPERES.300 VAC

INSULATION WITHSTANDS VOLTAGE AC 2000V

INSULATION RESISTANCE 500M OR MORE AT DC 500V



POLE	2	3	4	5	6	7	8	9	10	11	12	13	14	15	
A	44.2	55.2	66.2	77.2	88.2	99.2	110.2	121.2	132.2	143.2	154.2	165.2	176.2	187.2	
B	33	44	55	66	77	88	99	110	121	132	143	154	165	176	
POLE	16	17	18	19	20	21	22	23	24	25	26	27	28	29	30
A	198.2	209.2	220.2	231.2	242.2	253.2	264.2	275.2	286.2	297.2	308.2	319.2	330.2	341.2	352.2
B	187	198	209	220	231	242	253	264	275	286	297	308	319	330	341

RoHS Compliant

TOLERANCES ARE

MORETHANALL
PCB CONNECTORS
Cable ASSEMBLIES

DRAWING BY CY

CHECKED BY GENIUS

UNIT / mm SCALE 1 : 1

DATE

SIZE A4

X, ±
.X ±
.XX ±
.XXX ±
ANG ±

P PROJECTION

照片框

ORDER INFORMATION

TBB110-S13EC-xx-LF

SERIES

LEADFREE
02-30 WAY
COVER
EAR

SOLDER LONG 13.40mm

煜倫股份有限公司

www.morethanall.com

DESCRIPTION: