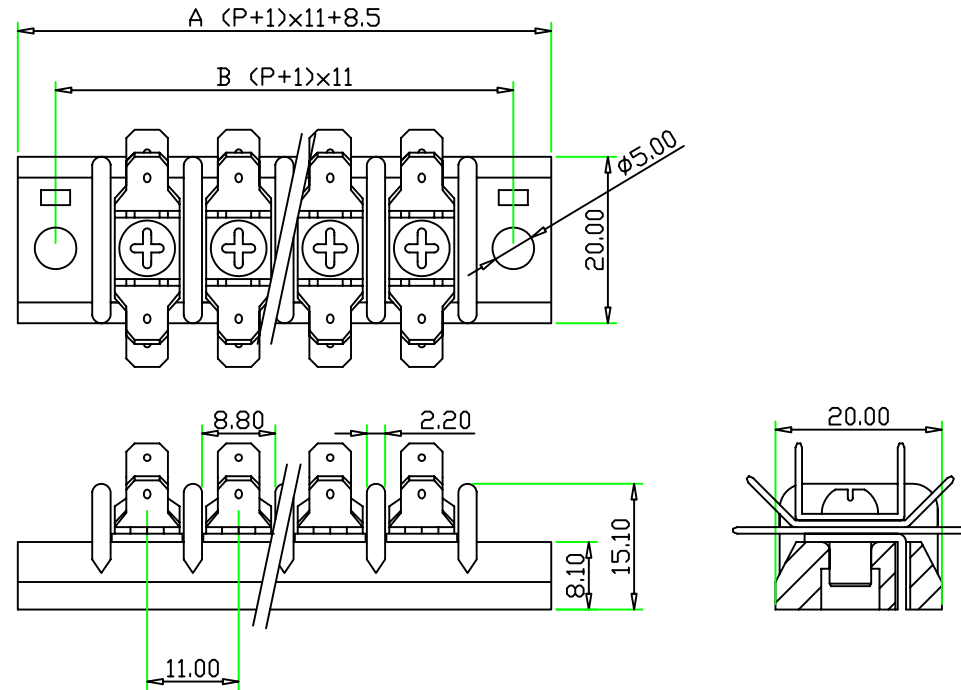


SPECIFICATIONS

Body Material: Phenolic.Black
 Terminals: Tin Plated Brass
 Screw: M4.0 Nickel Plated Steel
 Wier Range:12~18 AWG
 Rated: 20 Amperes.AC250V
 Insulation withstands volt: AC2000V min
 Insulation resistance: >1000MΩ or more at DC500V



POLE	2	3	4	5	6	7	8	9	10	11	12	13	14	15
A	41.5	52.5	63.5	74.5	85.5	96.5	107.5	118.5	129.5	140.5	151.5	162.5	173.5	184.5
B	33	44	55	66	77	88	99	110	121	132	143	154	165	176
POLE	16	17	18	19	20	21	22	23	24					
A	195.5	206.5	217.5	228.5	239.5	250.5	261.5	272.5	283.5					
B	187	198	209	220	231	242	253	264	275					

RoHS Compliant

TOLERANCES ARE



煜倫股份有限公司

www.morethanall.com

DRAWING BY CY
 CHECKED BY GENIUS
 UNIT / mm SCALE 1 : 1
 DATE
 SIZE A4 PPROJECTION

X. ±
 .X ±
 .XX ±
 .XXX ±
 ANG ±

照片框

ORDER INFORMATION

TBB110-Q48-xx-LF

SERIES | LEADFREE
 02~24 WAY
 TAB 4.8mm

DESCRIPTION: