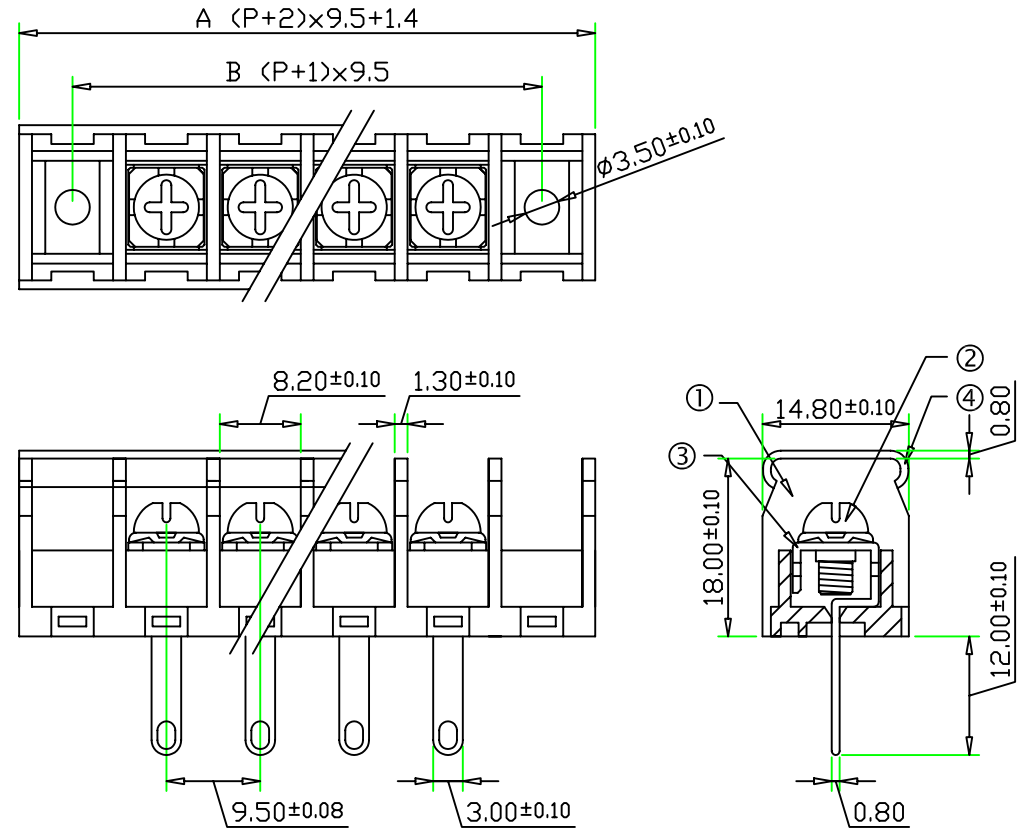


SPECIFICATIONS

- ① Housing Material: PA 66(UL94V-0), Black
- ② Screw: M3.5 Nickel Plated Steel
- ③ Terminals: Tin Plated Brass
- ④ Cover: PC Transparent

Screws Torque: 15.7 In-Lb
 Wire Range: 12~22 AWG
 Rated: 25 Amperes.AC300V
 Operation Temperature: -55°C~+105°C
 Insulation withstands volt: AC2000V min
 Insulation resistance: >1000MΩ or more at DC500V



Tolerance ± 0.5

POLE	2	3	4	5	6	7	8	9	10	11	12	13	14	15
A	39.4	48.9	58.4	67.9	77.4	86.9	96.4	105.9	115.4	124.9	134.4	143.9	153.4	162.9
B	28.5	38	47.5	57	66.5	76	85.5	95	104.5	114	123.5	133	142.5	152
POLE	16	17	18	19	20	21	22	23	24	25				
A	172.4	181.9	191.4	200.9	210.4	219.9	229.4	238.9	248.4	257.9				
B	161.5	171	180.5	190	199.5	209	218.5	228	237.5	247				



煜倫股份有限公司

www.morethanall.com

RoHS Compliant

DRAWING BY CY
 CHECKED BY GENIUS
 UNIT / mm SCALE 1 : 1
 DATE
 SIZE A4 PPROJECTION

TOLERANCES ARE

X. ±
 .X ±
 .XX ±
 .XXX ±
 ANG ±

照片框

ORDER INFORMATION

TBB095-SE12C-xx-LF
 SERIES | | | | LEADFREE
 | | | | 02~30WAY
 | | | | CAP
 | | | | 12.0mm
 | | | | EAR
 | | | | SOLDER

DESCRIPTION: