

# SPECIFICATIONS

**BARRIER MATERIAL:** THERMOPLASTIC (UL 94V-0).BLACK

**TERMINALS:** TIN PLATED BRASS

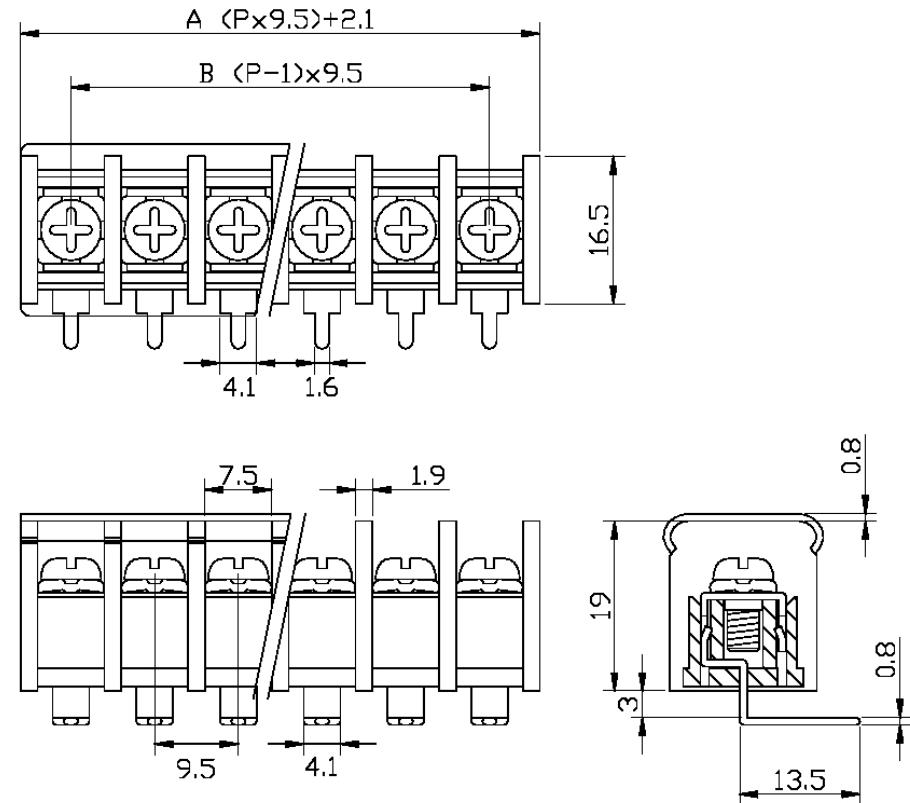
**SCREW:** NICKEL PLATED STEEL

**WIRE RANGE:**14-22 STR

**RATING:** 10 AMPERES. 250VAC

**INSULATION WITHSTANDS VOLTAGE AC 2000V**

**INSULATION RESISTANCE 500 $\Omega$  [OR MORE AT DC 500V**



POLE	2	3	4	5	6	7	8	9	10	11	12	13	14	15			
A	21.1	30.6	40.1	49.6	59.1	68.6	78.1	87.6	97.1	106.6	116.1	125.6	135.1	144.6			
B	9.5	21.1	28.5	38	47.5	57	66.5	76	85.5	95	104.5	114	123.5	133			
POLE	16	17	18	19	20	21	22	23	24	25	26	27	28	29	30	31	32
A	154.1	163.6	173.1	182.6	192.1	201.6	211.1	220.6	230.1	239.6	249.1	258.6	268.1	277.6	287.1	296.6	306.1
B	142.5	152	161.5	171	180.5	190	199.5	209	218.5	228	237.5	247	256.5	266	275.5	285	294.5

**RoHS Compliant**

TOLERANCES ARE

**MORETHANALL**  
PCB CONNECTORS  
Cable ASSEMBLIES

DRAWING BY CY

CHECKED BY GENIUS

UNIT / mm

SCALE 1 : 1

DATE

SIZE A4

PJECTION

X.  $\pm$   
.X  $\pm$   
.XX  $\pm$   
.XXX  $\pm$   
ANG  $\pm$

照片框

**ORDER INFORMATION**

TBB095-R3C-xx-LF

SERIES

LEADFREE

02-32WAY

CAP  
3.0mm

DIP 90°

煜倫股份有限公司

www.morethanall.com

DESCRIPTION: