

SPECIFICATIONS

BARRIER MATERIAL: THERMOPLASTIC (UL 94V-0).BLACK

TERMINALS: TIN PLATED BRASS

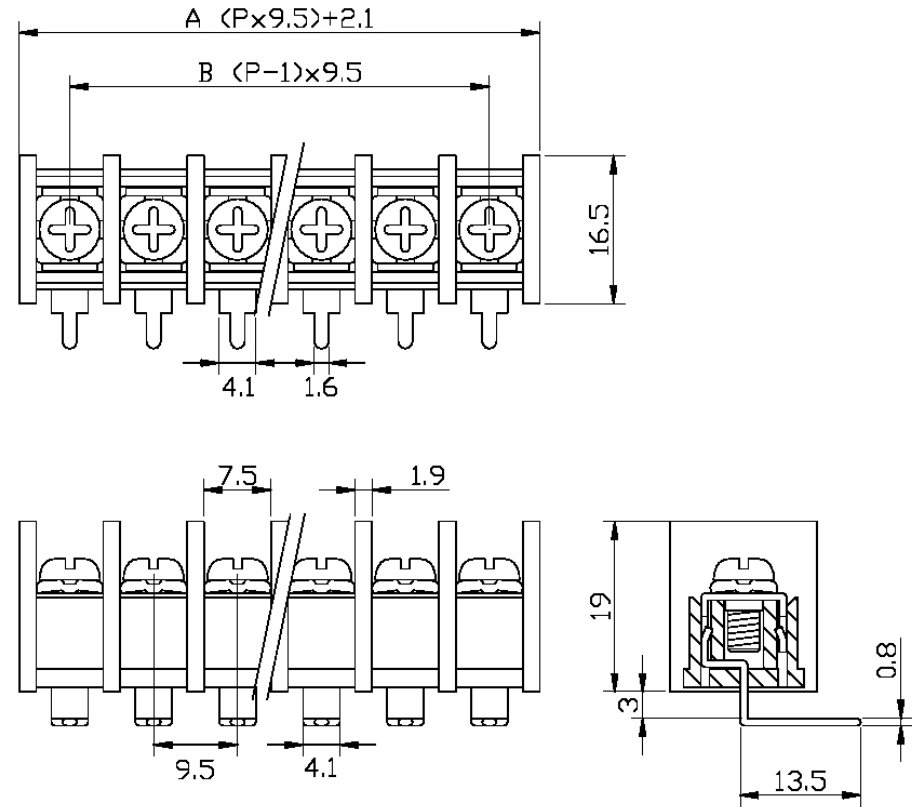
SCREW: NICKEL PLATED STEEL

WIRE RANGE:14-22 STR

RATING: 10 AMPERES. 250VAC

INSULATION WITHSTANDS VOLTAGE AC 2000V

INSULATION RESISTANCE 500 Ω [OR MORE AT DC 500V



POLE	2	3	4	5	6	7	8	9	10	11	12	13	14	15			
A	21.1	30.6	40.1	49.6	59.1	68.6	78.1	87.6	97.1	106.6	116.1	125.6	135.1	144.6			
B	9.5	21.1	28.5	38	47.5	57	66.5	76	85.5	95	104.5	114	123.5	133			
POLE	16	17	18	19	20	21	22	23	24	25	26	27	28	29	30	31	32
A	154.1	163.6	173.1	182.6	192.1	201.6	211.1	220.6	230.1	239.6	249.1	258.6	268.1	277.6	287.1	296.6	306.1
B	142.5	152	161.5	171	180.5	190	199.5	209	218.5	228	237.5	247	256.5	266	275.5	285	294.5

RoHS Compliant

TOLERANCES ARE

MORETHANALL
PCB CONNECTORS
Cable ASSEMBLIES

DRAWING BY CY

CHECKED BY GENIUS

UNIT / mm SCALE 1 : 1

DATE

SIZE A4

X, \pm
.X \pm
.XX \pm
.XXX \pm
ANG \pm

P PROJECTION

照片框

ORDER INFORMATION

TBB095-R3-xx-LF

SERIES | LEADFREE
02-32WAY
3.0mm
DIP 90°

煜倫股份有限公司

www.morethanall.com

DESCRIPTION: