

SPECIFICATIONS

BARRIER MATERIAL: THERMOPLASTIC (UL 94V-0).BLACK

TERMINALS: TIN PLATED BRASS

SCREW: NICKEL PLATED STEEL

WIRE RANGE: 16-22 STR

RATING: 10 AMPERES.250VAC

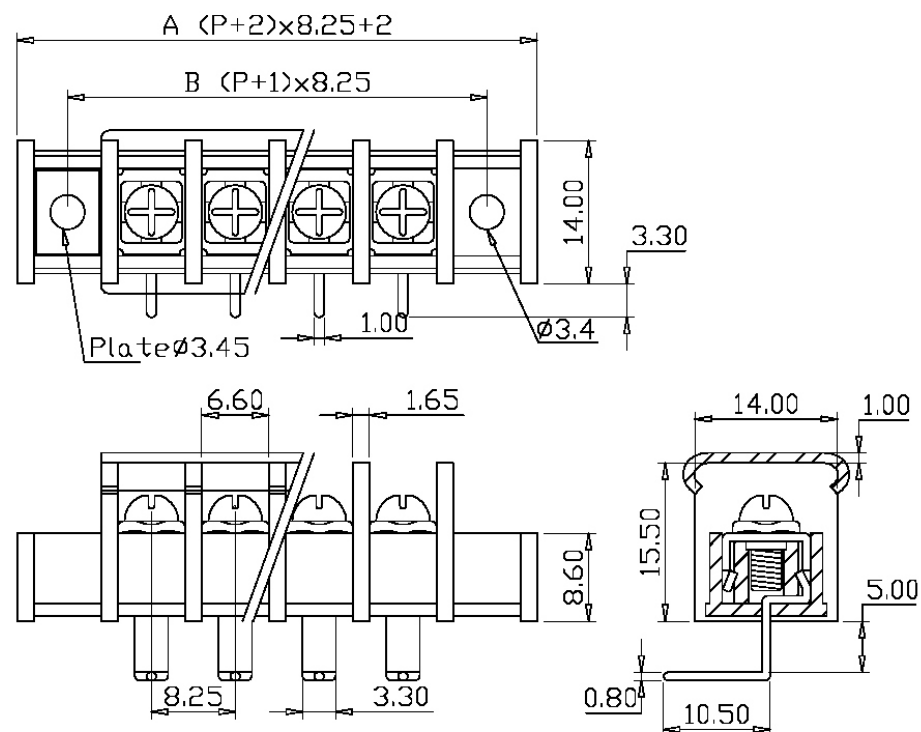
INSULATION WITHSTANDS VOLTAGE AC 2000V

INSULATION RESISTANCE 500M OR MORE AT DC 500V

TBB082-RE-xx-LF

LEADFREE

RoHS Compliant



POLE	2	3	4	5	6	7	8	9	10	11	12	13	14	15	
A	35	43.25	51.5	59.75	68	76.25	84.5	92.75	101	109.25	117.5	125.75	134	142.25	
B	24.75	33	41.25	49.5	57.75	66	74.25	82.5	90.75	99	107.25	115.5	123.75	132	
POLE	16	17	18	19	20	21	22	23	24	25	26	27	28	29	30
A	150.2	158.75	167	175.25	183.5	191.75	200	208.25	216.5	224.75	233	241.25	249.5	257.8	266
B	140.25	148.5	156.75	165	173.25	181.5	189.75	198	206.25	214.5	222.75	231	239.25	247.5	255.8

MORETHANALL
CONNECTORS
ASSEMBLIES

PART NO. **TBB082-RE-xx**

DWG NO. **TBB082-RE-xx**

FILE NO.

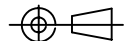
UNIT / mm

SCALE 1:1

CHECKED BY CY

DRAWING BY

PROJECTION



TOLERANCES ARE

.X \pm 0.2

.XX \pm

.XXX \pm

AWG

DESCRIPTION:

AREA

REVISIONS

HK

DATE

焯倫股份有限公司