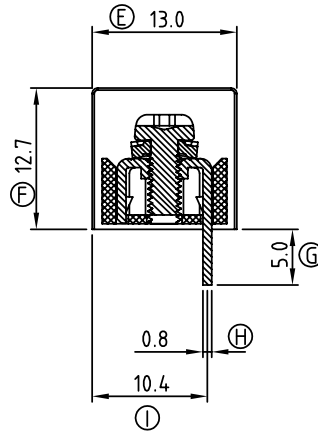


RECOMMENDED PCB LAYOUT  $\Delta$



MATERIALS ELECTRICAL  
 RATED VOLTAGE & CURRENT: 300 V, 20 A  
 WITHSTAND VOLTAGE: AC 2000 V/Min  
 INSULATION RESISTANCE: 1000 M $\Omega$  OR MORE AT DC 500 V  
 OPERATING TEMPERATURE RANG: -40 °C ~ +115 °C  
 SCREW TORQUE VALUE: 8.8 Lb-In.  
 WIRE RANGE: 22 - 12 AWG  
 1) MOLDED PARTS: PA 66, UL 94 V-0 BLACK  
 2) TERMINAL: BRASS, 0.8t, Tin PLATED  
 3) TERMINAL SCREWS: STEEL, Ni PLATED, M3  
 APPROVAL: US

TBB082-DS-xx-LF  
 LEADFREE  
 02~32WAY

RoHS Compliant

POLE	1	2	3	4	5	6	7	8	9	10	11	12	13	14	15	16
Dim A		18.22	26.47	34.72	42.97	51.22	59.47	67.72	75.97	84.22	92.47	100.72	108.97	117.22	125.47	133.72
Dim B		8.25	16.50	24.75	33.00	41.25	49.50	57.75	66.00	74.25	82.50	90.75	99.00	107.25	115.50	123.75
Tol	±0.30								±0.40							
POLE	17	18	19	20	21	22	23	24	25	26	27	28	29	30	31	32
Dim A	141.97	150.22	158.47	166.72	174.97	183.22	191.47	199.72	207.97	216.22	224.47	232.72	240.97	249.22	257.47	265.72
Dim B	132.00	140.25	148.50	156.75	165.00	173.25	181.50	189.75	198.00	206.25	214.50	222.75	231.00	239.25	247.50	255.75
Tol	±0.50								±0.60							

**MORETHANALL**  
 CONNECTORS  
 ASSEMBLIES

PART NO. TBB082-DS-xx

DWG NO. TBB082-DS-xx

FILE NO.

煜倫股份有限公司

UNIT / mm

SCALE 1:1

CHECKED BY CY

DRAWING BY

PROJECTION

TOLERANCES ARE

X, ±  
 .X ± 0.50  
 .XX ± 0.30  
 .XXX ± 0.10  
 ANG ± 1°

DESCRIPTION:

AREA

REVISIONS

DATE