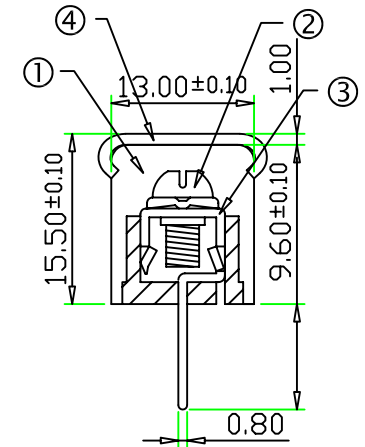
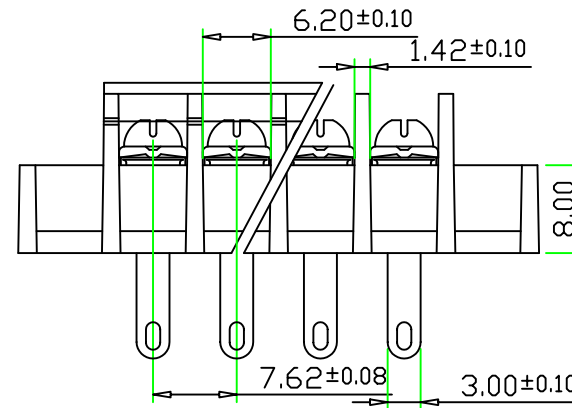
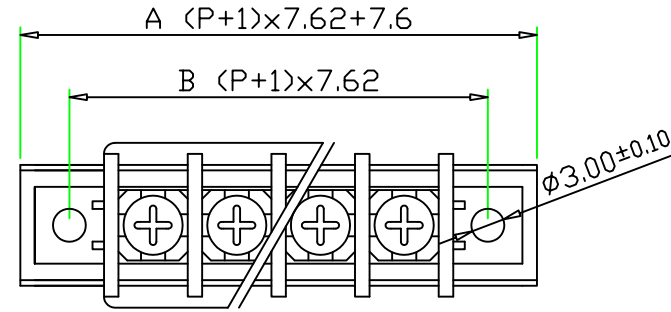


SPECIFICATIONS

- ① Housing Material: Polyamide 66(UL94V2), Black
- ② Screw: M3.0 Nickel Plated Steel
- ③ Terminals: Tin Plated Brass
- ④ Cover: PC Transparent

Screws Torque: 7 In-Lb
 Wire Range: 16~22 AWG
 Rated: 10 Amperes.AC250V
 Operation Temperature: -55°C~+100°C
 Insulation withstands volt: AC2000V min
 Insulation resistance: >1000MΩ or more at DC500V



TBB076-SE_x-xx-LF
 LEADFREE
 02~30 WAY
 BLANK: NO COVER
 C: WITH COVER

Tolerance ± 0.5

POLE	2	3	4	5	6	7	8	9	10	11	12	13	14	15	
A	30.46	38.08	45.7	53.32	60.94	68.56	76.18	83.8	91.42	99.04	106.66	114.28	121.9	129.52	
B	22.86	30.48	38.1	45.72	53.34	60.96	68.58	76.2	83.82	91.44	99.06	106.68	114.3	121.92	
POLE	16	17	18	19	20	21	22	23	24	25	26	27	28	29	30
A	137.14	144.76	152.38	160	167.62	175.24	182.86	190.48	198.1	205.72	213.34	220.96	228.58	236.2	243.82
B	129.54	137.16	144.78	152.4	160.02	167.64	175.26	182.88	190.5	198.12	205.74	213.36	220.98	228.6	236.22



PART NO. TBB076-SE_x-xx

DWG NO. TBB076-SE_x-xx

FILE NO.

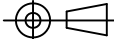
UNIT / mm

SCALE 1:1

CHECKED BY CY

DRAWING BY

PROJECTION



TOLERANCES ARE

.X ± 0.2
 .XX ±
 .XXX ±
 ANG

DESCRIPTION:

AREA

REVISIONS

HK

DATE

焯倫股份有限公司