

# SPECIFICATIONS

**BARRIER MATERIAL:** THERMOPLASTIC (UL 94V-0).BLACK

**TERMINALS:** TIN PLATED BRASS

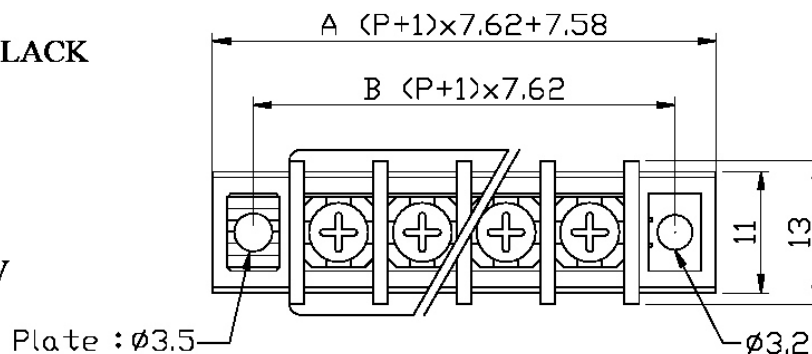
**SCREW:** NICKEL PLATED STEEL

**WIRE RANGE:**16-22 STR

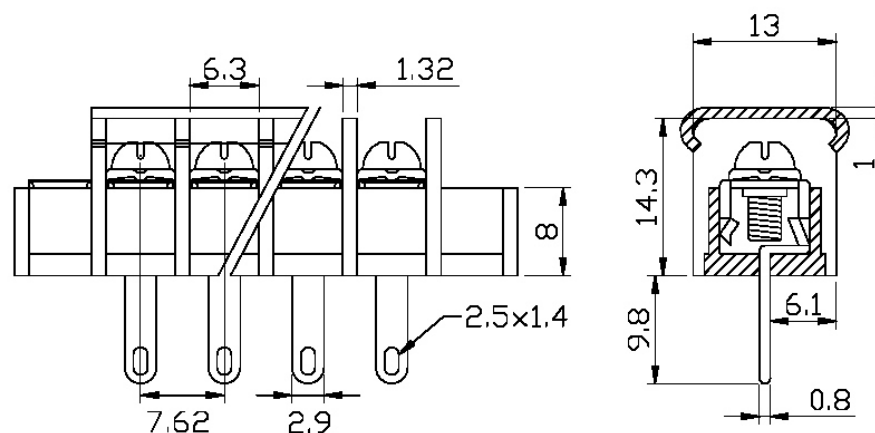
**RATING:** 10 AMPERES.250VAC

**INSULATION WITHSTANDS VOLTAGE AC 2000V**

**INSULATION RESISTANCE 500M OR MORE AT DC 500V**



TBB076-SEC-xx-LF  
 EAR COVER LEADFREE  
 RoHS Compliant



POLE	2	3	4	5	6	7	8	9	10	11	12	13	14	15	
A	30.4	38.06	45.68	53.3	60.92	68.54	76.16	83.78	91.4	99.02	106.64	144.26	121.9	129.5	
B	22.86	30.48	38.1	45.72	53.34	60.96	68.54	76.2	83.82	91.44	99.06	106.68	114.3	121.92	
POLE	16	17	18	19	20	21	22	23	24	25	26	27	28	29	30
A	137.12	144.74	152.36	159.98	167.6	175.22	182.84	190.46	198.08	205.7	213.32	220.94	225.56	236.2	243.8
B	129.54	137.16	144.78	152.4	160.02	167.64	175.26	182.88	190.5	198.12	205.74	213.36	220.98	228.6	236.22



PART NO. TBB076-SEC-xx

DWG NO. TBB076-SEC-xx

FILE NO.

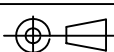
UNIT / mm

SCALE 1:1

CHECKED BY CY

DRAWING BY

PROJECTION



TOLERANCES ARE

.X  $\pm$  0.2  
 .XX  $\pm$   
 .XXX  $\pm$   
 AWG

DESCRIPTION:

AREA

REVISIONS

HK

DATE

焯倫股份有限公司