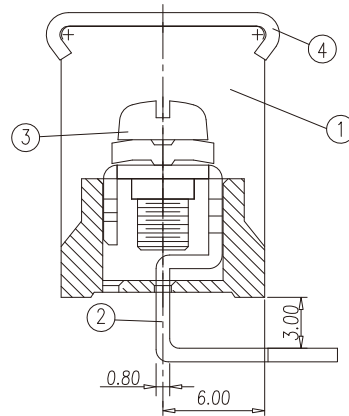
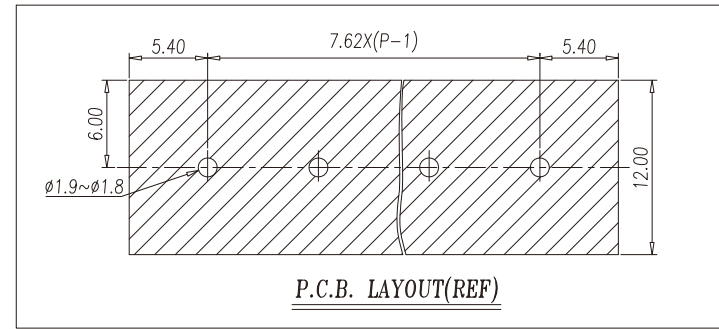


NOTES:

1. Rating: 300V 15 A
PITCH: 7.62mm
2. Insulation Withstands Voltage:
AC 2000V/MIN
3. Insulation Resistance:
1000MΩ or more at DC500V
4. Using Temperature Range:
-40°C~+130°C
5. Screw Torque Value: 8kg-cm
6. Suitable Electric Wire: 22~14AWG
7. RoHS Compliance



Normal Geometric Tolerancing				
	-	//	≡	⊥
0 to 100	0.2		0.3	0 to 10
over 100 to 150	0.3			over 10
over 150	0.5			0.3
Total Pitch Tolerances		Normal dimension Tolerances		
0<U<=30	±0.20	0~30	±0.25	
30<U<=53	±0.25	over 30~53	±0.30	
53<U<=70	±0.30	over 53~70	±0.35	
70<U<=90	±0.35	over 70~90	±0.44	
90<U<=115	±0.44	over 90~115	±0.55	
115<U<=150	±0.55	over 115~150	±0.70	
150<U<=200	±0.70	over 150~200	±0.85	
200<U<=250	±0.85	over 200~250	±1.00	
250<U<=320	±1.00	over 250~320	±1.20	

P	2	3	4	5	6	7	8	9	10	11	12	13
U	7.62	15.24	22.86	30.48	38.10	45.72	53.34	60.96	68.58	76.20	83.82	91.44
V	18.42	26.04	33.66	41.28	48.90	56.52	64.14	71.76	79.38	87.00	94.62	102.24
P	14	15	16	17	18	19	20	21	22	23	24	25
U	99.06	106.68	114.30	121.92	129.54	137.16	144.78	152.40	160.02	167.64	175.26	182.88
V	109.86	117.48	125.10	132.72	140.34	147.96	155.58	163.20	170.82	178.44	186.06	193.68
P	26	27	28									
U	190.50	198.12	205.74									
V	201.30	208.92	216.54									
Tolerances for PITCH ERROR												

4	COVER	PC	
3	SCREW	STEEL	M3 Ni Plated
2	SOLDER PIN	COPPER ALLOY	Tin Plated
1	HOUSING	PBT	UL94-V0 BLACK
ITEM	NAME OF PART	MATERIAL	NOTES

RoHS Compliant

TOLERANCES ARE

MORETHANALL
PCB CONNECTORS
Cable ASSEMBLIES
煜倫股份有限公司

DRAWING BY CY

CHECKED BY GENIUS

UNIT / mm SCALE 1:1

DATE

SIZE A4

X.±
.X±
.XX±
.XXX±
ANG±

PPOJECTION

照片框

ORDER INFORMATION

TBB076-RW25C-xx-LF

SERIES

|

|

|

|

|

|

|

|

|

|

|

|

|

|

|

|

|

|

|

|

|

|

|

|

|

LEADFREE
02~32WAY
CAP
PIN WIDTH 2.5mm
DIP 90°

DESCRIPTION:

www.morethanall.com