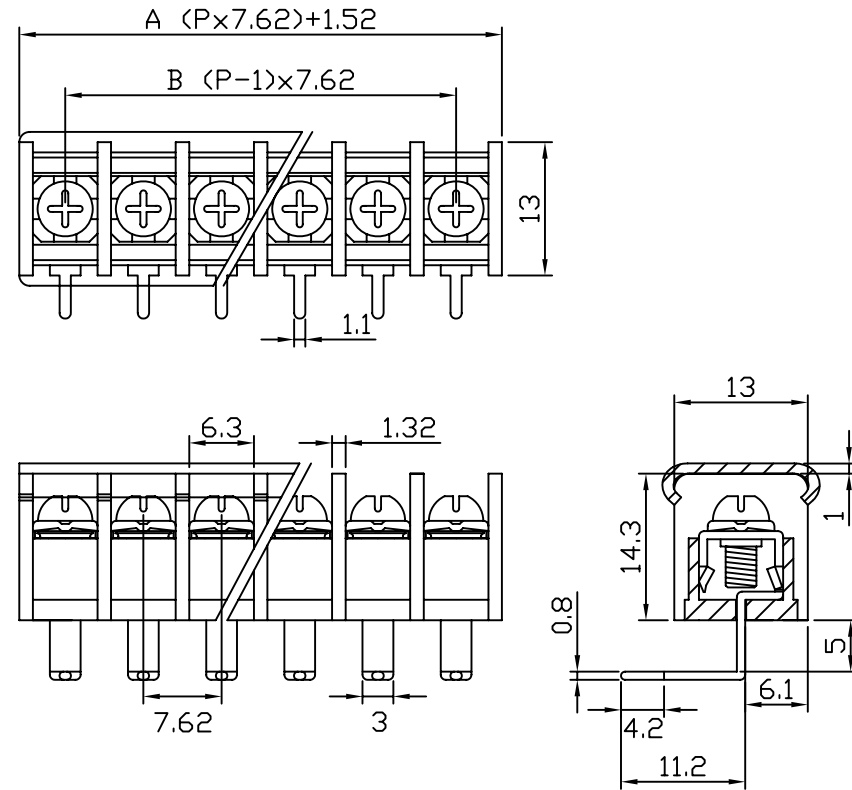


SPECIFICATIONS  
 BARRIER MATERIAL: THERMOPLASTIC (UL 94V-0).BLACK  
 TERMINALS: TIN PLATED BRASS  
 SCREW: NICKEL PLATED STEEL  
 WIRE RANGE:18-22 STR  
 RATING: 10 AMPERES.300VAC  
 INSULATION WITHSTANDS VOLTAGE AC 2000V  
 INSULATION RESISTANCE 500M OR MORE AT DC 500V



POLE	2	3	4	5	6	7	8	9	10	11	12	13	14	15			
A	16.76	24.38	32	39.62	47.24	54.86	62.48	70.1	77.72	85.34	92.96	100.6	108.2	115.8			
B	7.62	15.24	22.86	30.48	38.1	45.72	53.34	60.96	68.58	76.2	83.82	91.44	99.06	106.7			
POLE	16	17	18	19	20	21	22	23	24	25	26	27	28	29	30	31	32
A	123.44	131.06	138.68	146.3	153.92	161.54	169.16	176.78	184.4	192.02	199.64	207.3	241.9	222.5	230.1	237.7	245.4
B	114.3	121.92	129.54	137.16	144.78	152.4	160.02	167.64	175.26	182.88	190.5	198.1	205.7	213.4	221	228.6	236.2

RoHS Compliant

TOLERANCES ARE

**MORETHANALL**  
 PCB CONNECTORS  
 Cable ASSEMBLIES

煜倫股份有限公司

www.morethanall.com

DRAWING BY CY

CHECKED BY GENIUS

UNIT / mm

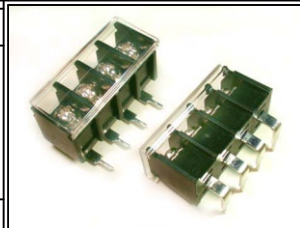
SCALE 1 : 1

DATE

SIZE A4

P PROJECTION

X. ±  
 .X ±  
 .XX ±  
 .XXX ±  
 ANG ±



ORDER INFORMATION

TBB076-RC-xx-LF

SERIES

LEADFREE

02-32WAY

CAP

DIP 90°

DESCRIPTION: Barrier type terminal block