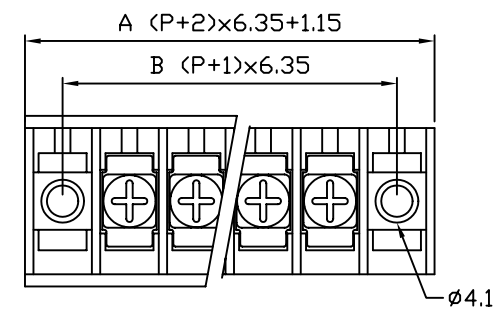


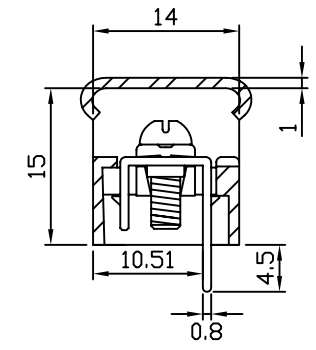
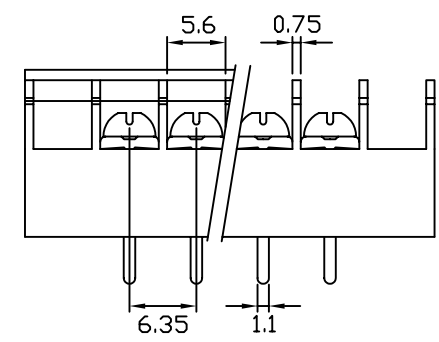
**SPECIFICATIONS**

**BARRIER MATERIAL:** THERMOPLASTIC (UL 94V-0).BLACK  
**TERMINALS:** TIN PLATED BRASS  
**SCREW:** NICKEL PLATED STEEL  
**WIRE RANGE:** 18-22 STR  
**RATING:** 10 AMPERES.250 VAC  
**INSULATION WITHSTANDS VOLTAGE AC 2000V**  
**INSULATION RESISTANCE 500 Ω OR MORE AT DC 500V**



Part Number: TBB063-DE-xx

Pole Size 2~30P



POLE	2	3	4	5	6	7	8	9	10	11	12	13	14	15	
A	26.55	32.9	39.25	45.6	51.95	58.3	64.65	71	77.35	83.7	90.05	96.4	102.8	109.1	
B	19.05	25.4	31.75	38.1	44.45	50.8	57.15	63.5	69.85	76.2	82.55	88.9	95.25	101.6	
POLE	16	17	18	19	20	21	22	23	24	25	26	27	28	29	30
A	115.45	121.8	128.15	134.5	140.85	147.2	153.55	159.9	166.25	172.6	179	185.3	191.7	198	204.35
B	107.95	114.3	120.65	127	133.35	139.7	146.05	152.4	158.75	165.1	171.5	177.8	184.2	190.5	196.9



煜倫有限公司

PART NO. TBB063-DE-xx		CHECKED BY CY		TOLERANCES ARE .X ± 0.2 .XX ± .XXX ± AWG	DESCRIP TION: 6.35 mm Barrier type terminal block			
DWG NO. TBB063-DE-xx		DRAWING BY			AREA	REVISIONS	HK	DATE
FILE NO.		PROJECTION						
UNIT / mm	SCALE 1:1							