

SPECIFICATIONS

Body Material: Polyamide 66(UL94V-2).Black

Terminals: Tin Plated Brass

Screw: M3.0 Nickel Plated Steel

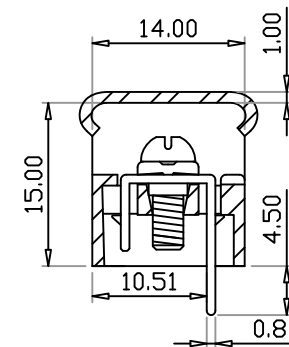
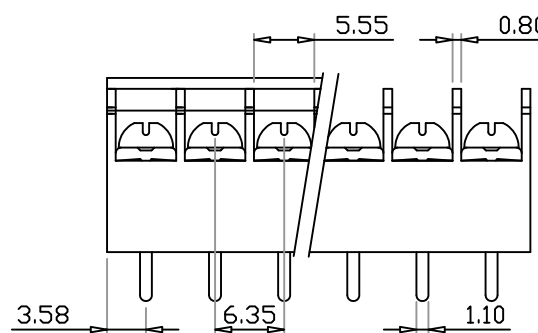
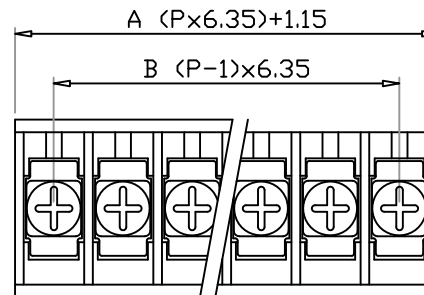
Wier Range:18~22 AWG

Rated: 10 Amperes.AC250V

Cover: PC Transparent

Insulation withstands volt: AC2000V min

Insulation resistance: >1000MΩ or more at DC500V



TBB063-D-xx-LF
LEADFREE

RoHS Compliant

POLE	2	3	4	5	6	7	8	9	10	11	12	13	14	15			
A	13.85	20.2	26.55	32.9	39.25	45.6	51.95	58.3	64.65	71	77.35	83.7	90.05	96.4			
B	6.35	12.7	19.05	25.4	31.75	38.1	44.45	50.8	57.15	63.5	69.85	76.2	82.55	88.9			
POLE	16	17	18	19	20	21	22	23	24	25	26	27	28	29	30	31	32
A	102.75	109.1	115.45	121.8	128.15	134.5	140.85	147.2	153.55	159.9	166.25	172.6	179	185.3	191.7	198	204.35
B	95.25	101.6	107.95	114.3	120.65	127	133.35	139.7	146.05	152.4	158.75	165.1	171.5	177.8	184.2	190.5	196.9



PART NO. TBB063-D-xx

DWG NO. TBB063-D-xx

FILE NO.

CHECKED BY CY

DRAWING BY

TOLERANCES ARE

.X ± 0.2
.XX ±
.XXX ±
AWG

DESCRIPTION:

煜倫股份有限公司

UNIT / mm

SCALE 1:1

PROJECTION

AREA

REVISIONS

HK

DATE