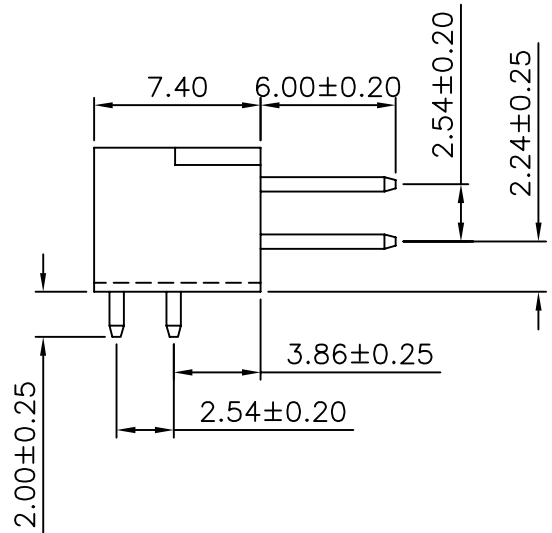
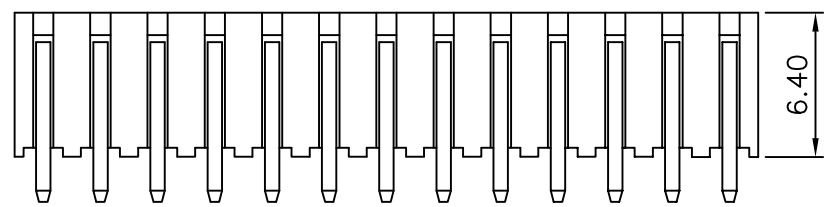
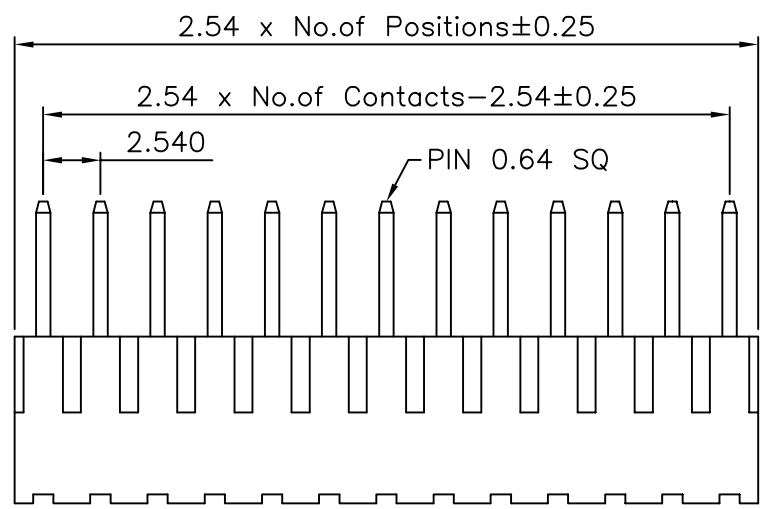


1 2 3 4 5 6 7 8 9 0

J
I
H
G
F
E
D
C
B
A



Specifications

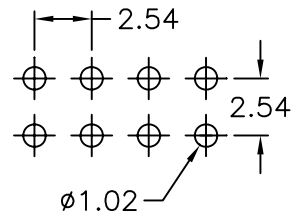
Current Rating: 3Amp
 Insulation Resistance: 1000MΩ Min.
 Dielectric Withstanding: 600V AC
 Contact Resistance: 20mΩ Max.
 Operating Temperature: -40°C to +105°C

Materials

Contact Material: Copper Alloy
 Insulation Material: Polyester, UL 94V-0
 P.B.T
 All materials must be GP materials

T-R74D20-xx-LF
 LEADFREE
 02:02/WAY
 40:40/WAY
RoHS Compliant

Recommended P.C.Board
 Hole Layout



PART NO. T-R74D20-xx

DWG NO. T-R74D20-xx

CHECKED BY CY

TOLERANCES ARE

DESCRIP TION:

2.54 PIN HEADER
 DUAL ROW R/A TYPE BASE 6.40H

FILE NO.

DRAWING BY

.X ± 0.2
 .XX ± 0.1
 .XXX ±
 AWG

AREA

REVISIONS

HK

DATE

煜倫股份有限公司

UNIT / mm

SCALE 1:1

PROJECTION