

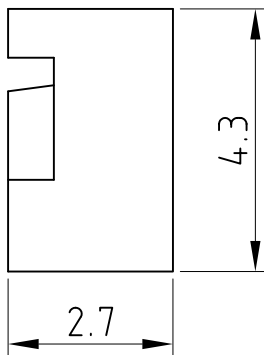
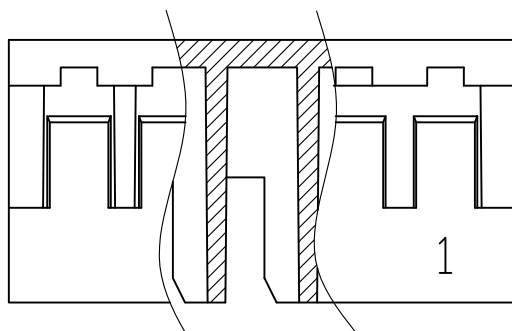
P.C.B LAYOUT

Specification

Pitch Between Poles: 1.50mm
 Current Rating: 1A AC/DC
 Voltage Rating: 50V AC/DC
 Withstand Voltage: 500V AC/Minute
 Insulation Resistance: 500MΩ MIN.
 Temperature Range: -25°C To +85°C
 Applicable Wire : AWG#26 To #30

Features

Available Number of Circuits: 02 To 15
 Material: Nylon 66 UL 94V-0



SZR-H-xx-LF
 LEADFREE
 RoHS Compliant

Circuits	Part No.	DIM:(mm)		Circuits	Part No.	DIM:(mm)	
		A	B			A	B
2	SZR-H-02	1.50	3.80	9	SZR-H-09	12.00	14.30
3	SZR-H-03	3.00	5.30	10	SZR-H-10	13.50	15.80
4	SZR-H-04	4.50	6.80	11	SZR-H-11	15.00	17.30
5	SZR-H-05	6.00	8.30	12	SZR-H-12	16.50	18.80
6	SZR-H-06	7.50	9.80	13	SZR-H-13	18.00	20.30
7	SZR-H-07	9.00	11.30	14	SZR-H-14	19.50	21.80
8	SZR-H-08	10.50	12.80	15	SZR-H-15	21.00	23.30

MORETHANALL
 CONNECTORS
 ASSEMBLIES

煜倫股份有限公司

PART NO. SZR-H-xx

DWG NO. SZR-H-xx

FILE NO.

UNIT / mm

SCALE 1:1

CHECKED BY CY

DRAWING BY

PROJECTION

TOLERANCES ARE

.X ± 0.2
 .XX ±
 .XXX ±
 AWG

DESCRIPTION:

1.50mm PITCH BOARD TO BOARD CONNECTOR 90°

AREA

REVISIONS

HK

DATE