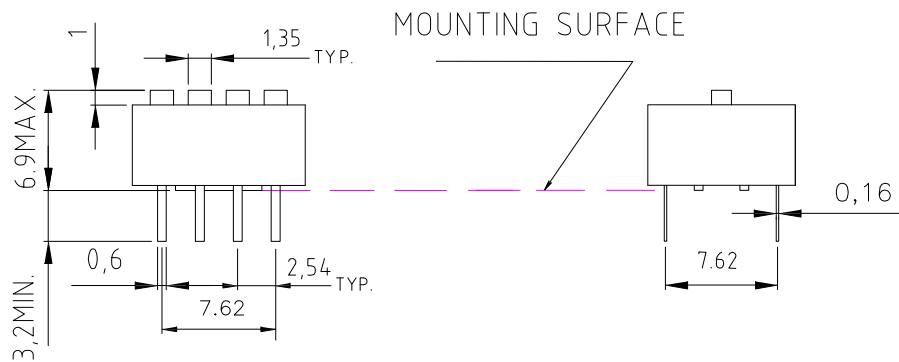
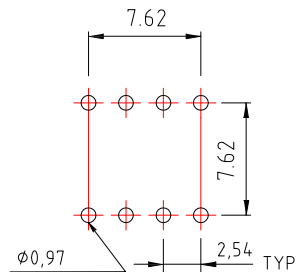


P.C.B LAYOUT MOUNTING PATTERN



NOTE:

1. ALL DIMENSIONS ARE IN MILLIMETERS.
2. MATERIAL:
 - Δ BASE:UL94V-0 PBT Thermoplastic(Black)
 - Δ COVER:UL94V-0 PBT Thermoplastic(Red,Blue)
 - Δ ACTUATORS:UL94V-0 PBT Thermoplastic(White)
 - Δ CONTACT PLATING:Gold plating over nickel
 - Δ PITTING MATERIAL:Epoxy

Δ ELECTRICAL

Electrical:2000 operations per switch-24 VDC,25mA.
 Non-Switching Rating:100mA,50VDC.
 Switching Rating:25mA,24VDC.
 Contact Resistance:50mΩ max. at initial.

Δ MECHANICAL

Mechanical life: 2000 operations per swith.
 Stroke: 2.0mm.
 Operation Temp: -20℃ to 70℃
 Storage Temp: -40℃ to 85℃.

RoHS Compliant

TOLERANCES ARE

MORETHANALL
 PCB CONNECTORS
 Cable ASSEMBLIES

煜倫股份有限公司

www.morethanall.com

DRAWING BY CY

CHECKED BY GENIUS

UNIT / mm

SCALE 1 : 1

DATE

SIZE A4

PPOJECTION

Up to 5 ±0.2
 Above 5 ~ 15 ±0.3
 Above 15 ~ 30 ±0.4
 Above 30 ~ 50 ±0.5
 Angle ±0.3°

照片框

ORDER INFORMATION

SW-Scc-04-LF
 SERIES | LEADFREE
 | 04 WAY
 | BL:BLUE
 | RD:RED
 | SLIDE TYPE

DESCRIPTION: SWITCH