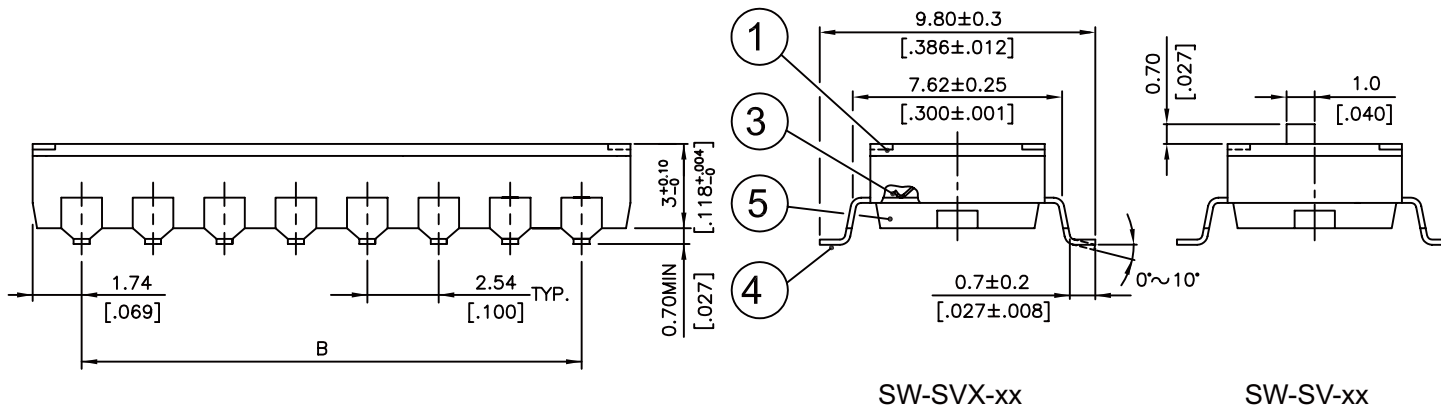
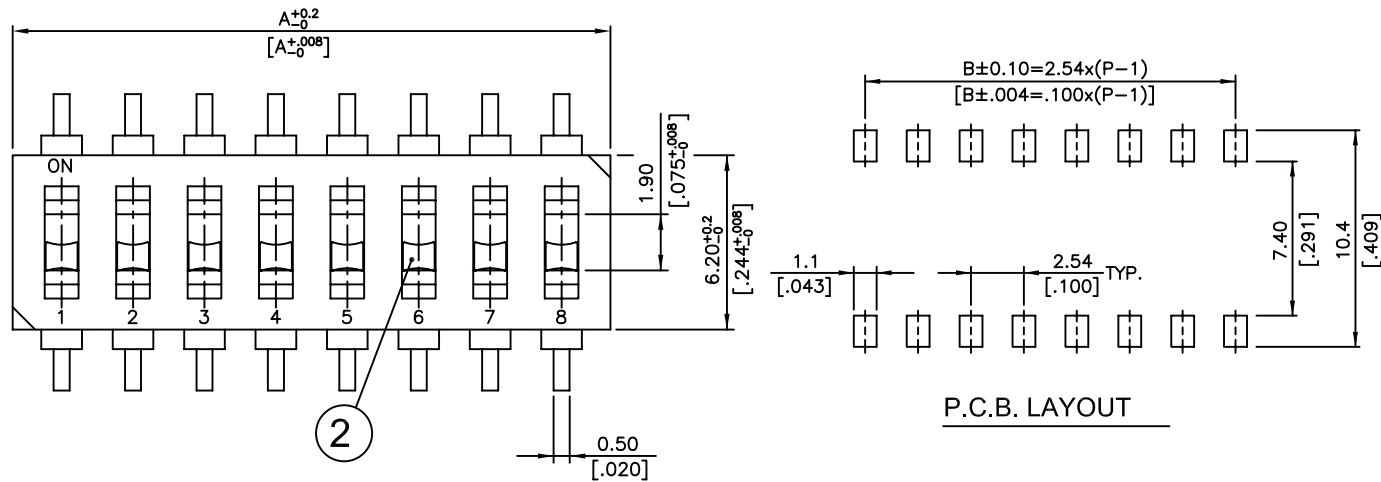
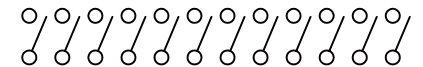


**NOTE:** 1. ALL DIMENSIONS ARE IN MILLIMETERS, BRACKETED DIMENSIONS ARE IN INCHES.  
 2. GENERAL TOLERANCES: 10mm OVER -  $\pm 0.20$ mm.  
 10mm BELOW -  $\pm 0.10$ mm.



SW-SV-12 SW-SVX-12	12	31.42[1.237]	27.94[1.100]
SW-SV-10 SW-SVX-10	10	26.34[1.037]	22.86[.900]
SW-SV-09 SW-SVX-09	9	23.80[.937]	20.32[.800]
SW-SV-08 SW-SVX-08	8	21.26[.837]	17.78[.700]
SW-SV-07 SW-SVX-07	7	18.72[.737]	15.24[.600]
SW-SV-06 SW-SVX-06	6	16.18[.637]	12.70[.500]
SW-SV-05 SW-SVX-05	5	13.64[.537]	10.16[.400]
SW-SV-04 SW-SVX-04	4	11.10[.437]	7.62[.300]
SW-SV-03 SW-SVX-03	3	8.56[.337]	5.08[.200]
SW-SV-02 SW-SVX-02	2	6.02[.237]	2.54[.100]
-	-	-	-
PROD. NO.	NO. OF POS.	DIM. A	DIM. B

SCHMATIC(TYP.)



(1,2,3,4,5,6,7,8,9,10,12, POS AVAIL)

RoHS Compliant

**MORETHANALL**  
 PCB CONNECTORS  
 Cable ASSEMBLIES

煜倫股份有限公司

www.morethanall.com

DRAWING BY CY

CHECKED BY GENIUS

UNIT/mm SCALE 1:1

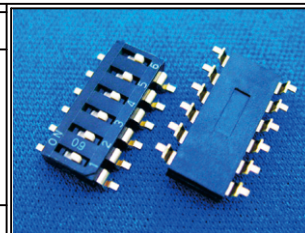
DATE

SIZE A4

TOLERANCES ARE

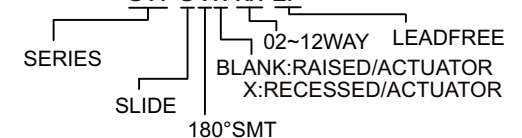
X,  $\pm$   
 X,  $\pm$   
 .XX  $\pm$   
 .XXX  $\pm$   
 ANG  $\pm$

PJECTION



ORDER INFORMATION

SW-SVx-xx-LF



DESCRIPTION: