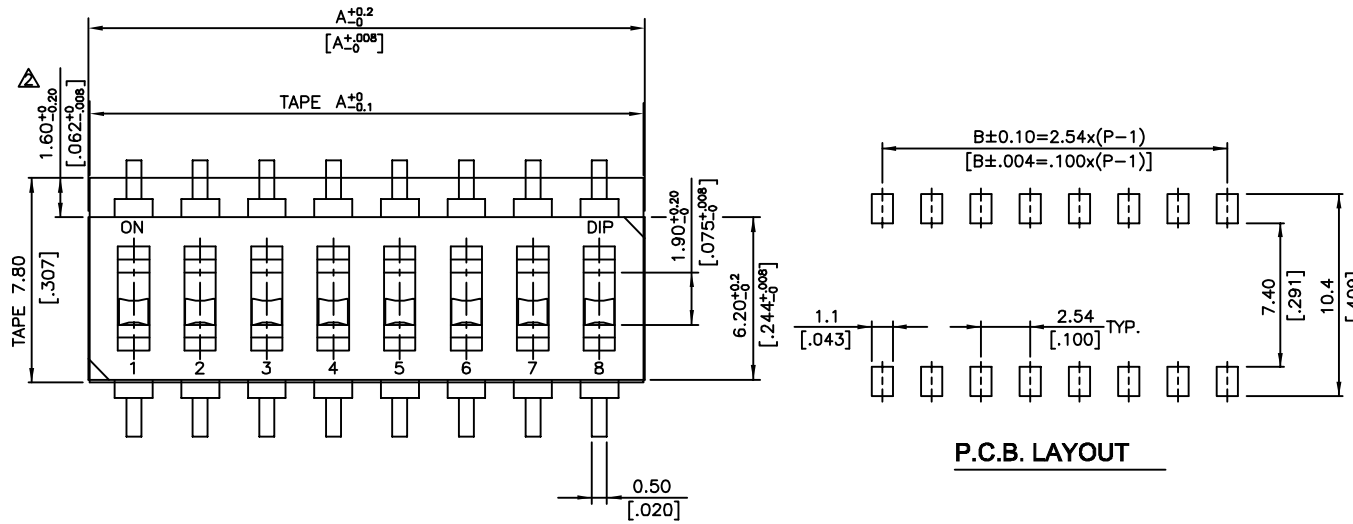
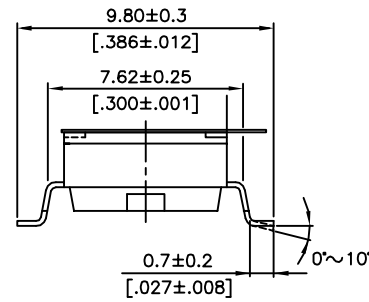
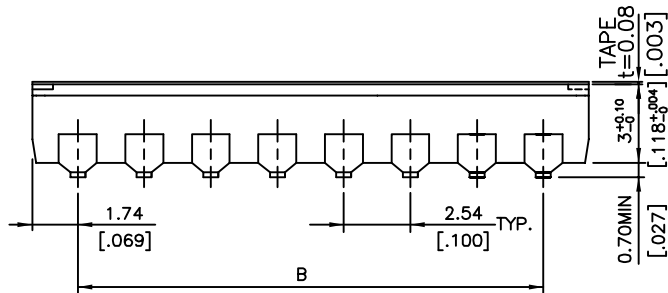


- NOTE:**
1. ALL DIMENSIONS ARE IN MILLIMETERS, BRACKETED DIMENSIONS ARE IN INCHES.
 2. GENERAL TOLERANCES: 10mm OVER - ± 0.20 mm.
10mm BELOW - ± 0.10 mm.
 3. DMR-02 / DMR-03 ARE WITHOUT "DIP" PRINTING.



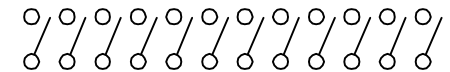
P.C.B. LAYOUT



DMR SERIES

SW-SVXC-12	12	31.42[1.237]	27.94[1.100]
SW-SVXC-10	10	26.34[1.037]	22.86[.900]
SW-SVXC-09	9	23.80[.937]	20.32[.800]
SW-SVXC-08	8	21.26[.837]	17.78[.700]
SW-SVXC-07	7	18.72[.737]	15.24[.600]
SW-SVXC-06	6	16.18[.637]	12.70[.500]
SW-SVXC-05	5	13.64[.537]	10.16[.400]
SW-SVXC-04	4	11.10[.437]	7.62[.300]
SW-SVXC-03	3	8.56[.337]	5.08[.200]
SW-SVXC-02	2	6.02[.237]	2.54[.100]
-	-	-	-
PROD. NO.	NO. OF POS.	DIM. A	DIM. B

SCHEMATIC(TYP.)



(1,2,3,4,5,6,7,8,9,10,12, POS AVAIL)

RoHS Compliant

MORETHANALL
PCB CONNECTORS
Cable ASSEMBLIES

煜倫股份有限公司

www.morethanall.com

DRAWING BY CY

CHECKED BY GENIUS

UNIT/mm SCALE 1:1

DATE

SIZE A4

TOLERANCES ARE

X. ±
.X ±
.XX ±
.XXX ±
ANG ±

PJECTION

照片框

ORDER INFORMATION

SW-SVXC-xx-LF
SERIES | LEADFREE
| 02-12WAY
| TAPE
| RECESSED/ACTUATOR
| 180°SMT
| SLIDE

DESCRIPTION: S.M.T TYPE DIP SWITCH