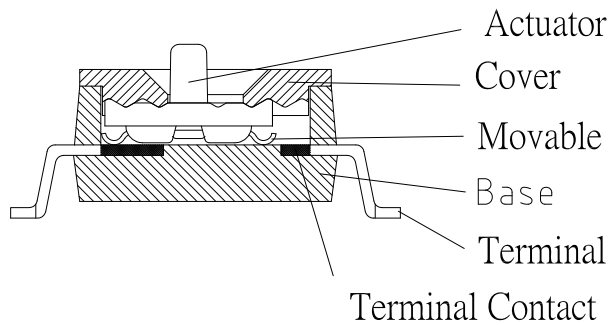
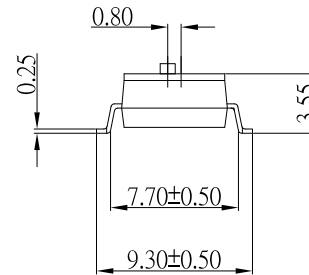
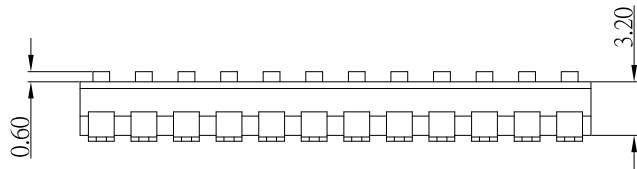


P.C.B LAYOUT MOUNTING PATTERN

SCHEMATIC



Part Name	Material	Finished
Base	PPS UL94 V0	Black
Cover	PPS UL94 V0	Black
Actuator	Nylon UL94 V0	White
Movable	Phosphor Bronze	Gold
Terminal Contact	Brass	Gold
Terminal	Brass	Gold

Poles(N)	A (mm)
01	2.54
02	5.08
03	7.62
04	10.16
05	12.70
06	15.24
07	17.78
08	20.32
09	22.86
10	25.40
12	30.48

RoHS Compliant

TOLERANCES ARE

**MORETHANALL**  
PCB CONNECTORS  
Cable ASSEMBLIES

煜倫股份有限公司

www.morethanall.com

DRAWING BY CY

CHECKED BY GENIUS

UNIT / mm

SCALE 1 : 1

DATE

SIZE A4

PJECTION

Up to 5 ±0.2  
Above 5 ~ 30 ±0.3  
Above 30 ~ 50 ±0.4  
Above 50 ±0.5  
Angle ±0.3°

照片框

ORDER INFORMATION

SW-SV-xx-LF  
SERIES | LEADFREE  
01~12 WAY  
180°SMT  
SLIDE

DESCRIPTION: DIP SWITCH