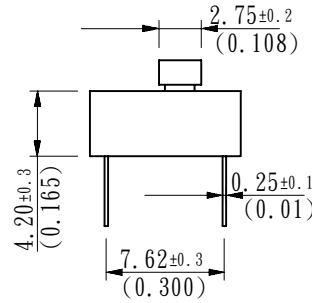
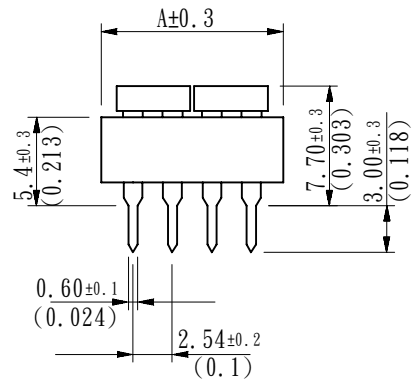
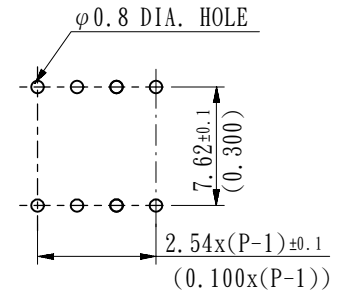
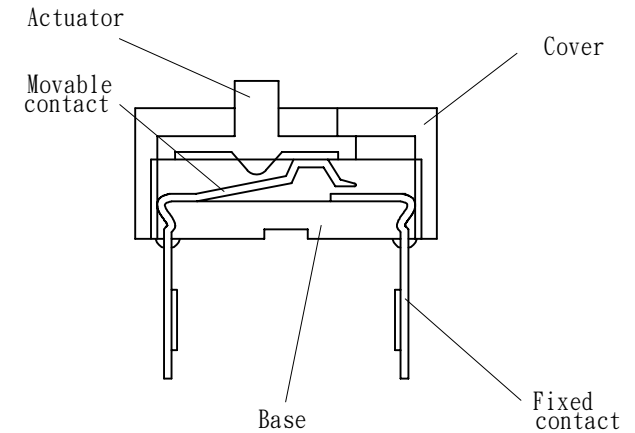


P. C. B LAY OUT



CONSTRUCTION



Dimension A

Positions	1	2	3	4	5	6
A	6.7 (0.264)	11.7 (0.461)	16.7 (0.657)	21.7 (0.854)	26.7 (1.05)	31.8 (1.25)

RoHS Compliant

TOLERANCES ARE

MORETHANALL
PCB CONNECTORS
Cable ASSEMBLIES

煜倫股份有限公司

www.morethanall.com

DRAWING BY CY

CHECKED BY GENIUS

UNIT / mm SCALE 1:1

DATE

SIZE A4

PJECTION

1 - 4	±0.3
4 - 16	±0.5
16 - 63	±0.8
63 - 250	±1.0

照片框

ORDER INFORMATION

SW-S1P2T-xx-LF
SERIES | LEADFREE
01-06 WAY
SINGLE POLE DOUBLE THROW
SLIDE

DESCRIPTION: