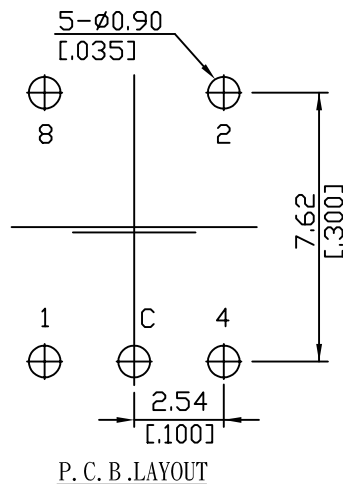
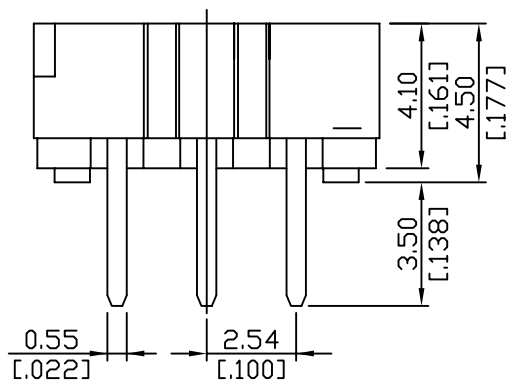
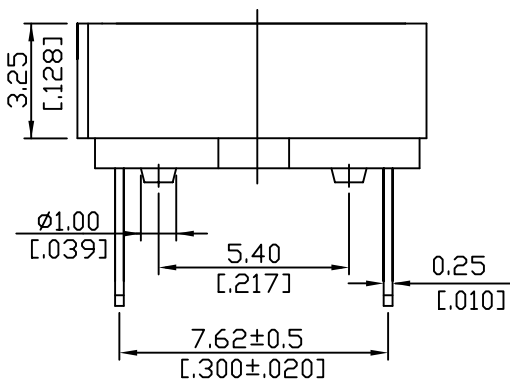


RH2A-10R



P. C. B. LAYOUT



NOTE :

1. ALL DIMENSIONS ARE IN MILLIMETERS , BRACKETED DIMENSION ARE IN INCHS.
2. GENERAL TOLERANCE: ± 0.2 mm

| TYPE | POSITION | CODE | | | |
|--------|------------------|------|---|---|---|
| | | 1 | 2 | 4 | 8 |
| 10 R | 0 F | ● | ● | ● | ● |
| | 1 E | ○ | ● | ● | ● |
| | 2 D | ● | ○ | ● | ● |
| | 3 C | ○ | ○ | ● | ● |
| | 4 B | ● | ● | ○ | ● |
| | 5 _b A | ○ | ● | ○ | ● |
| | 6 ₁ 9 | ● | ○ | ○ | ● |
| | 7 ₁ 8 | ○ | ○ | ○ | ● |
| | 8 | ● | ● | ● | ○ |
| | 9 | ○ | ● | ● | ○ |
| 16 R,C | A 5 | ● | ○ | ● | ○ |
| | B 4 | ○ | ○ | ● | ○ |
| | C 3 | ● | ● | ○ | ○ |
| | D 2 | ○ | ● | ○ | ○ |
| | E 1 | ● | ○ | ○ | ○ |
| | F 0 | ○ | ○ | ○ | ○ |

CIRCUIT CHART



PART NO. SW-RD-10

DWG NO. SW-RD-10

FILE NO.

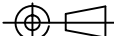
UNIT / mm

SCALE 1:1

CHECKED BY CY

DRAWING BY

PROJECTION



TOLERANCES ARE

.X±0.2
.XX±
.XXX±
AWG

DESCRIPTION:

ROTARY TYPE DIP SWITCH

AREA

REVISIONS

HK

DATE

煜倫股份有限公司