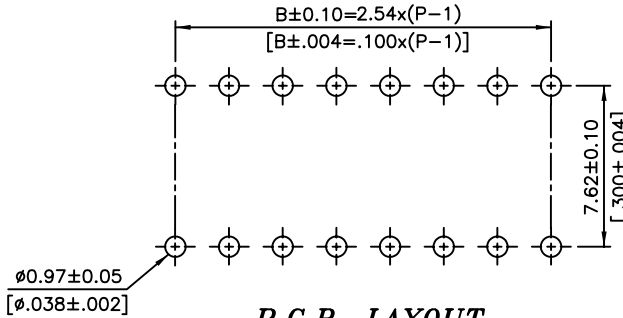
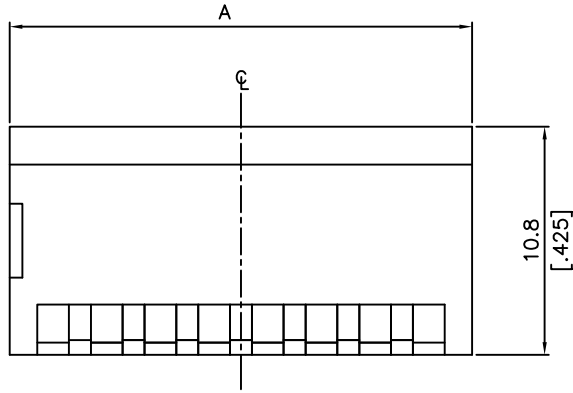
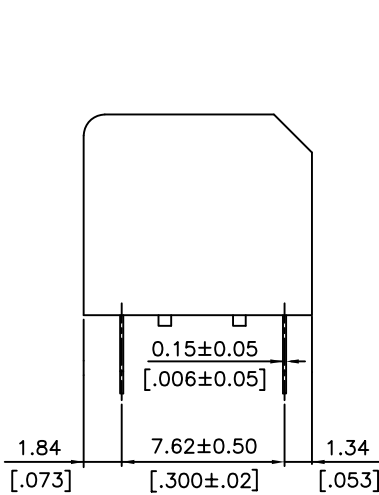
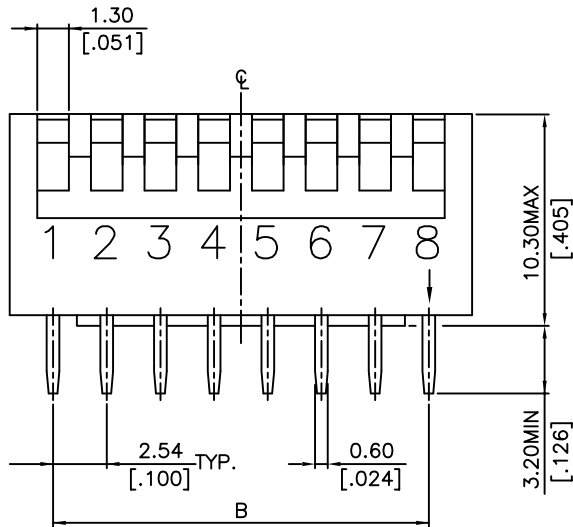


NOTE: 1. ALL DIMENSIONS ARE IN MILLIMETERS, BRACKETED DIMENSIONS ARE IN INCHES.

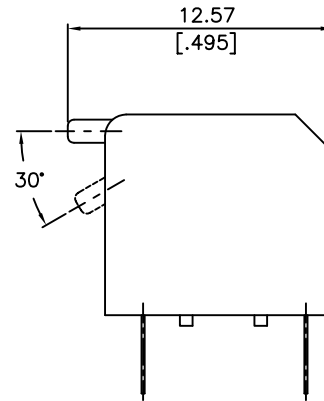
**2. GENERAL TOLERANCES: 10mm OVER - ±0.20mm.
10mm BELOW - ±0.10mm.**



P.C.B. LAYOUT



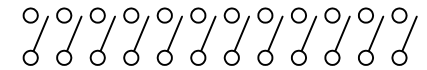
SW-PX-xx



SW-P-xx

12	32.04[1.261]	27.94[1.100]
10	26.96[1.061]	22.86[.900]
9	24.42[.961]	20.32[.800]
8	21.88[.861]	17.78[.700]
7	19.34[.761]	15.24[.600]
6	16.80[.661]	12.70[.500]
5	14.26[.561]	10.16[.400]
4	11.72[.461]	7.62[.300]
3	9.18[.361]	5.08[.200]
2	6.64[.261]	2.54[.100]
NO. OF POS.	DIM. A	DIM. B

SCHEMATIC(TYP.)



(2,3,4,5,6,7,8,9,10,12, POS AVAIL)

RoHS Compliant

TOLERANCES ARE

MORETHANALL
PCB CONNECTORS
Cable ASSEMBLIES

DRAWING BY CY

CHECKED BY GENIUS

UNIT / mm

SCALE 1 : 1

DATE

SIZE A4

PJECTION

X. ±
.X ±
.XX ±
.XXX ±
ANG ±

照片框

ORDER INFORMATION

SW-Px-xx-LF
SERIES | LEADFREE
| 02~12 WAY
BLANK:LONG/ACTUATOR
X:SHORT/ACTUATOR
PIANO

DESCRIPTION: **PIANO TYPE DIP SWITCH**

煜倫股份有限公司

www.morethanall.com