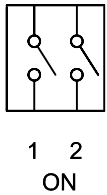
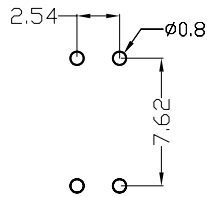


WIRING DIAGRAM



DRILLING PLAN

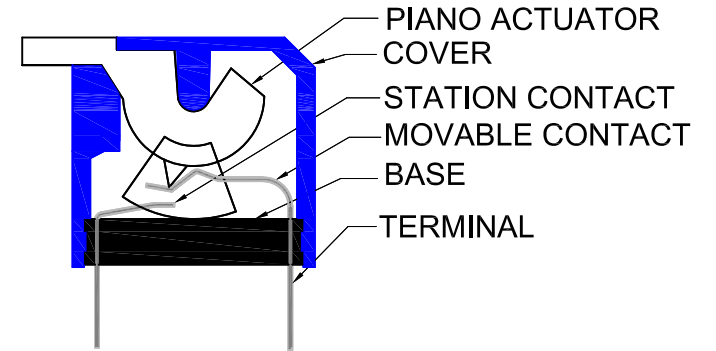


MATERIALS:

RoHS Compliant

PART	MATERIAL	FINISH
COVER	PBT UL 94V-0	Blue \ Red
BASE	PA66 UL 94V-0	Black
PIANO ACTUATOR	PA66 UL 94V-0	White
STATION CONTACT	Brass	Gold Plated
MOVABLE CONTACT	Brass	Gold Plated
TERMINAL	Brass	Tin Plated

STRUCTURE



RoHS Compliant

TOLERANCES ARE

**MORETHANALL**  
PCB CONNECTORS  
Cable ASSEMBLIES

煜倫股份有限公司

www.morethanall.com

DRAWING BY CY

CHECKED BY GENIUS

UNIT / mm

SCALE 1:1

DATE

SIZE A4

X.±  
.X±  
.XX±  
.XXX±  
ANG ±

PPOJECTION

照片框

ORDER INFORMATION

SW-PBL-02-LF  
SERIES | LEADFREE  
| 02 WAY  
| BLUE  
PIANO

DESCRIPTION: