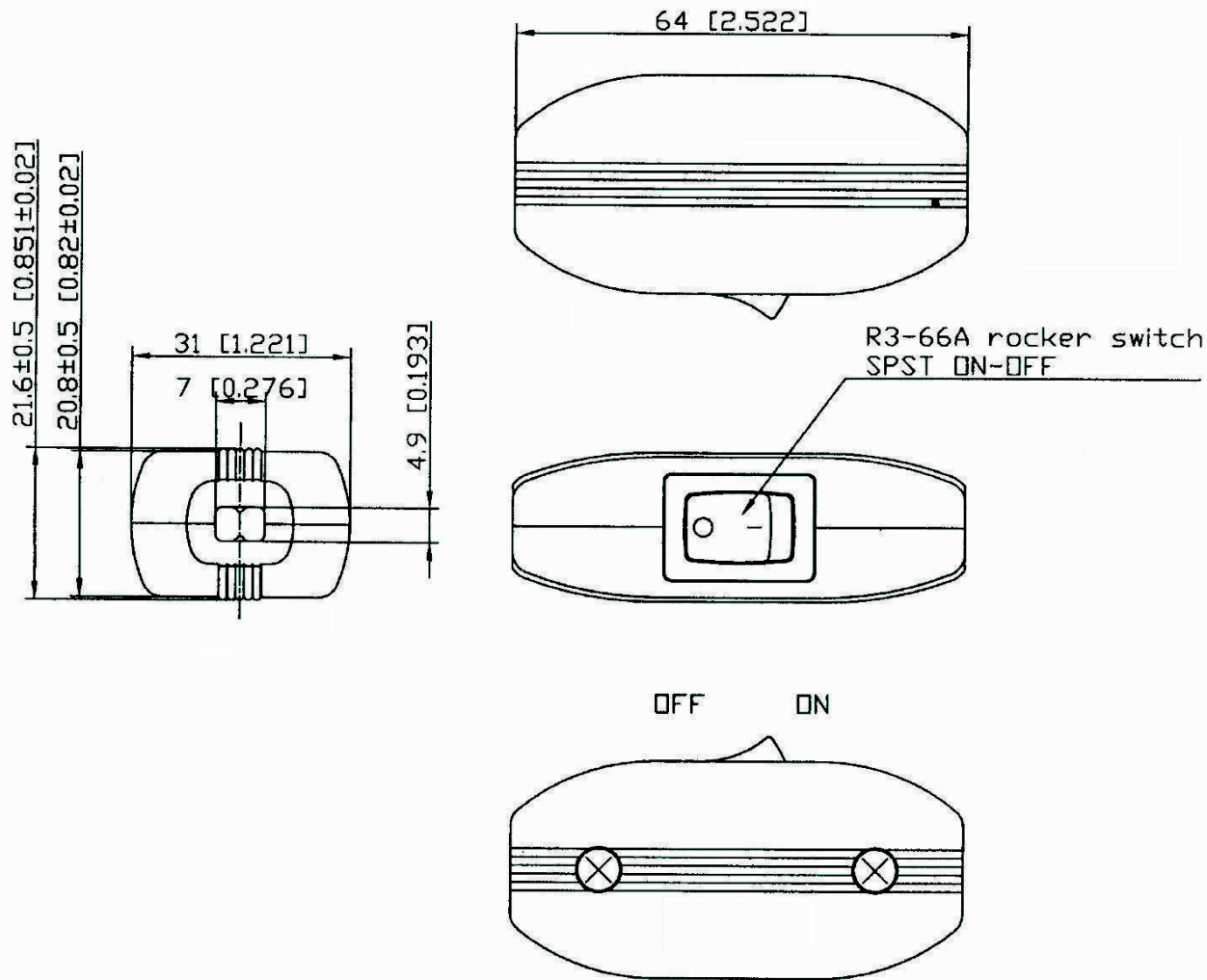


Contact R	50m ohm Max.
Insulation R	DC 500V 100M ohm Min.
Dielectric Strength	AC 1500V 1 minute
Operation temp	-20°C ~ 85°C

Material of case are nylon-66.  
Switch operation force: 450g±150g

SW-IL-02-LF  
LEADFREE

RoHS Compliant



**MORETHANALL**  
CONNECTORS  
ASSEMBLIES

煜倫股份有限公司

PART NO. SW-IL-02		CHECKED BY CY	TOLERANCES ARE .X ± 0.2 .XX ± .XXX ± AWG	DESCRIP TION:			
DWG NO. SW-IL-02							
FILE NO.		PROJECTION	AREA	REVISIONS	HK	DATE	
UNIT / mm	SCALE 1:1						