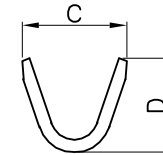
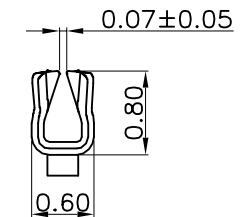


Section A-A



Section B-B



Section C-C

NOTES:

1. MATERIAL: PHOSPHOR BRONZE, t=0.12mm

CONTACT INFORMATION:

Part No.	Wire Range	Insulation O.D.	DIM.(mm)			
			A	B	C	D
SUH-TG-28	AWG#28~30	∅0.40~∅0.60mm	1.10	1.05	1.00	0.90
SUH-TG-32	AWG#32	∅0.30~∅0.40mm	1.00	0.85	0.90	0.70

RoHS Compliant

TOLERANCES ARE

MORETHANALL
PCB CONNECTORS
Cable ASSEMBLIES

煜倫股份有限公司

www.morethanall.com

DRAWING BY CY

CHECKED BY GENIUS

UNIT / mm

SCALE 1 : 1

DATE

SIZE A4

X, ±
.X ± 0.25
.XX ± 0.15
.XXX ±
ANG ± 3°

PJECTION

照片框

ORDER INFORMATION

SUH-TG-xx-LF
SERIES | LEADFREE
28:28~30 AWG
32:32 AWG
GOLD
TERMINAL

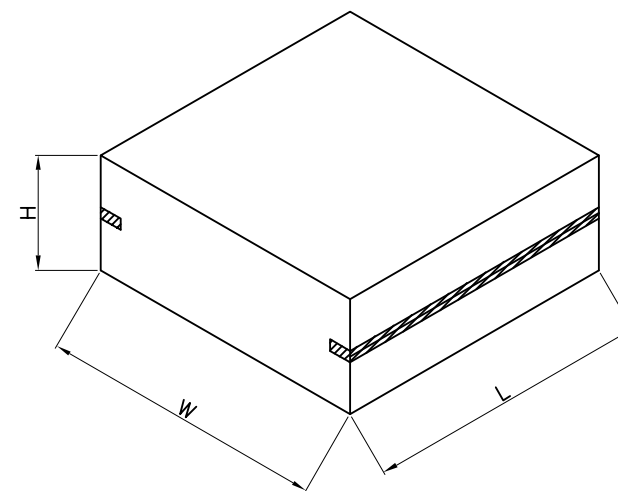
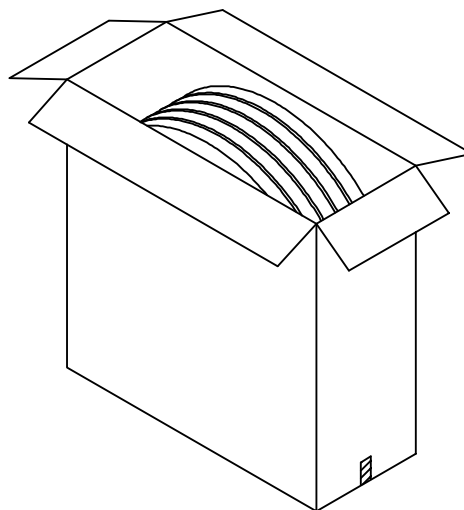
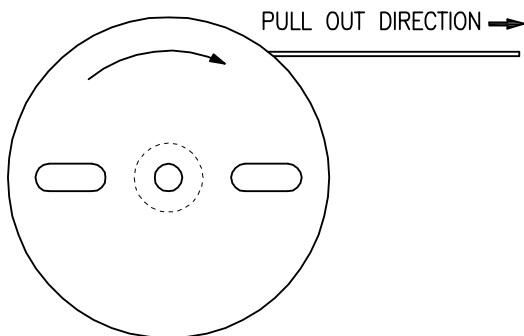
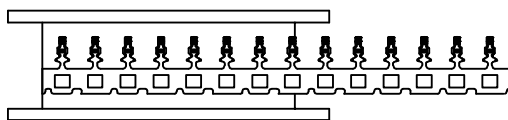
DESCRIPTION:

PCAKING MATERIAL

PART NAME	DIM(mm)
CARTON	470*470*210

PCAKING CAPACITY

PART NO.	PCS/RE	RE/BC	PCS/BC
SUH-TG-xx	20,000	8	160,000



RoHS Compliant

TOLERANCES ARE

MORETHANALL
PCB CONNECTORS
Cable ASSEMBLIES

煜倫股份有限公司

www.morethanall.com

DRAWING BY CY

CHECKED BY GENIUS

UNIT / mm

SCALE 1 : 1

DATE

SIZE A4

X, ±
.X ± 0.25
.XX ± 0.15
.XXX ±
ANG ± 3°

PPOJECTION

照片框

ORDER INFORMATION

SUH-TG-xx-LF
SERIES | LEADFREE
28:28~30 AWG
32:32 AWG
GOLD
TERMINAL

DESCRIPTION: