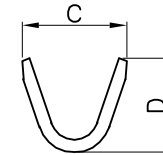
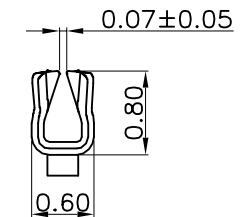


Section A-A



Section B-B



Section C-C

NOTES:

1. MATERIAL: PHOSPHOR BRONZE, t=0.12mm

CONTACT INFORMATION:

Part No.	Wire Range	Insulation O.D.	DIM.(mm)			
			A	B	C	D
SUH-T-28	AWG#28~30	∅0.40~∅0.60mm	1.10	1.05	1.00	0.90
SUH-T-32	AWG#32	∅0.30~∅0.40mm	1.00	0.85	0.90	0.70

RoHS Compliant

TOLERANCES ARE

**MORETHANALL**  
PCB CONNECTORS  
Cable ASSEMBLIES

煜倫股份有限公司

www.morethanall.com

DRAWING BY CY

CHECKED BY GENIUS

UNIT / mm

SCALE 1 : 1

DATE

SIZE A4

X, ±  
.X ± 0.25  
.XX ± 0.15  
.XXX ±  
ANG ± 3°

PJECTION

照片框

ORDER INFORMATION

SUH-T-xx-LF  
SERIES | T LEADFREE  
28:28~30 AWG  
32:32 AWG  
TERMINAL TIN

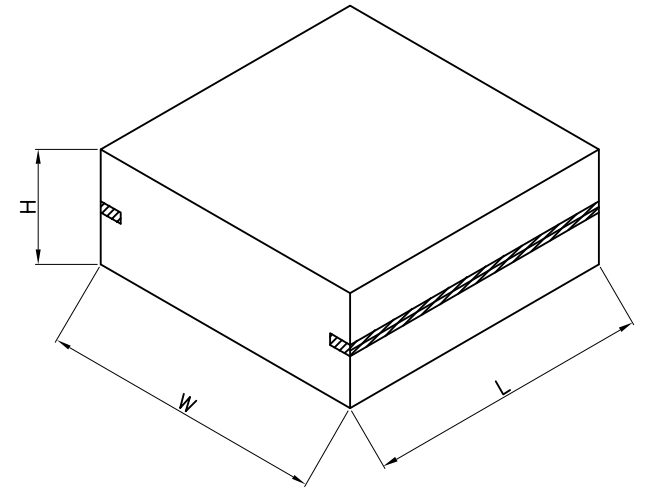
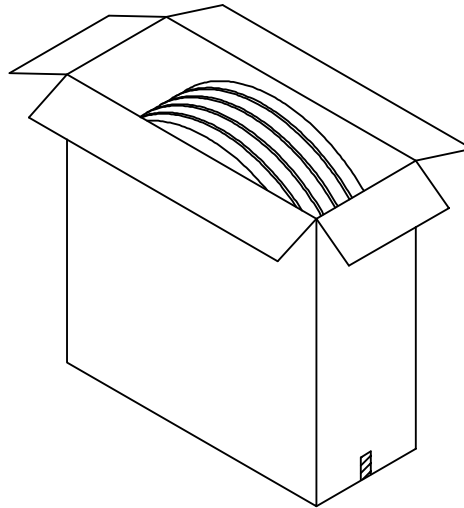
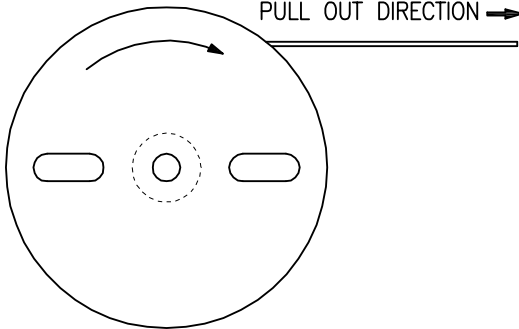
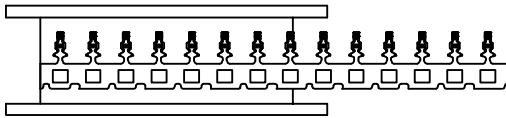
DESCRIPTION:

PCAKING MATERIAL

PART NAME	DIM(mm)
CARTON	470*470*210

PCAKING CAPACITY

PART NO.	PCS/RE	RE/BC	PCS/BC
SUH-T-xx	20,000	8	160,000



RoHS Compliant

TOLERANCES ARE

**MORETHANALL**  
PCB CONNECTORS  
Cable ASSEMBLIES

DRAWING BY CY

CHECKED BY GENIUS

UNIT / mm

SCALE 1:1

DATE

SIZE A4

X, ±  
.X ± 0.25  
.XX ± 0.15  
.XXX ±  
ANG ± 3°

PJECTION

照片框

ORDER INFORMATION

SUH-T-xx-LF  
SERIES | T LEADFREE  
28:28~30 AWG  
32:32 AWG  
TERMINAL TIN

煜倫股份有限公司

www.morethanall.com

DESCRIPTION: