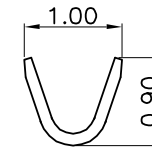
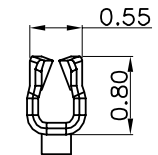


Section A-A



Section B-B



Section C-C

NOTES:

1. MATERIAL: PHOSPHOR BRONZE, t=0.12mm
2. FINISH: TIN-PLATED OVER NICKEL
3. APPLICABLE WIRE RANGE: AWG#28~32
4. INSULATION O.D.:  $\phi 0.50 \sim \phi 0.60$ mm

RoHS Compliant

TOLERANCES ARE

**MORETHANALL**  
PCB CONNECTORS  
Cable ASSEMBLIES

煜倫股份有限公司

www.morethanall.com

DRAWING BY CY

CHECKED BY GENIUS

UNIT / mm

SCALE 1 : 1

DATE

SIZE A4

X,  $\pm$   
.X  $\pm$  0.25  
.XX  $\pm$  0.15  
.XXX  $\pm$   
ANG  $\pm$  3°

PJECTION

照片框

ORDER INFORMATION

SUH-T-28-LF  
SERIES | LEADFREE  
28~32 AWG  
TERMINAL

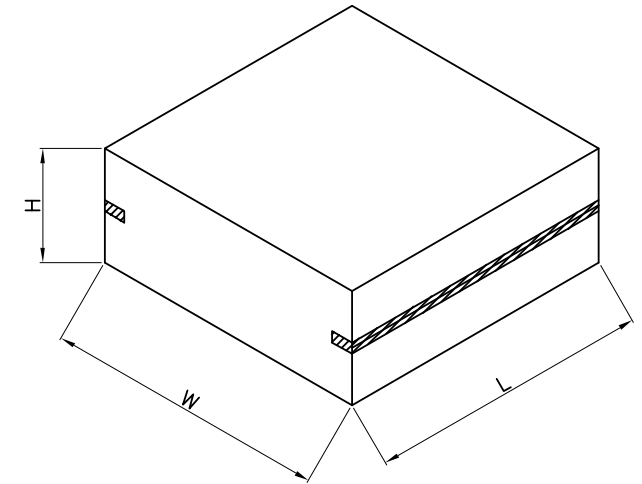
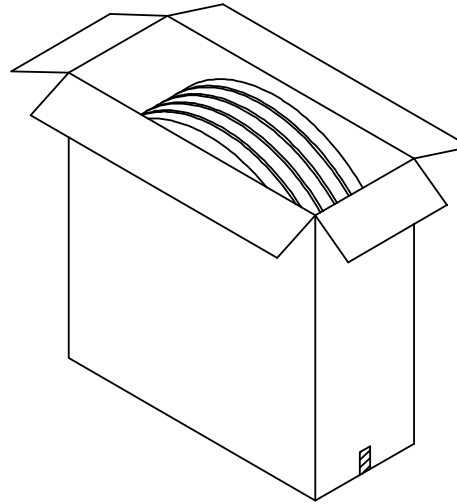
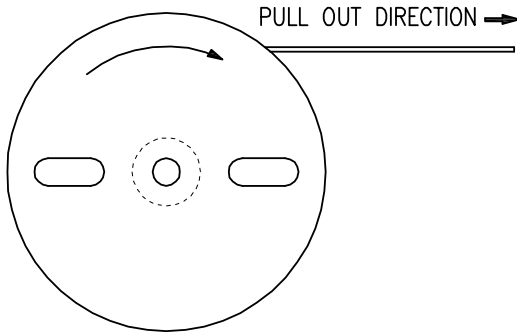
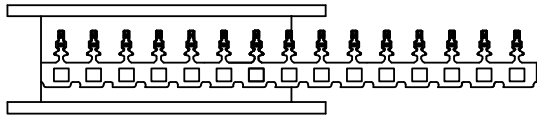
DESCRIPTION:

PCAKING MATERIAL

PART NAME	DIM(mm)
CARTON	470*470*210

PCAKING CAPACITY

PART NO.	PCS/RE	RE/BC	PCS/BC
SCH-T-28	20,000 PCS/RE	9 RE/BC	180,000 PCS/BC



RoHS Compliant

TOLERANCES ARE

**MORETHANALL**  
PCB CONNECTORS  
Cable ASSEMBLIES

煜倫股份有限公司

www.morethanall.com

DRAWING BY CY

CHECKED BY GENIUS

UNIT / mm

SCALE 1:1

DATE

SIZE A4

X, ±  
.X ± 0.25  
.XX ± 0.15  
.XXX ±  
ANG ± 3°

PJECTION

照片框

ORDER INFORMATION

SCH-T-28-LF  
SERIES | LEADFREE  
28~32 AWG  
TERMINAL

DESCRIPTION: