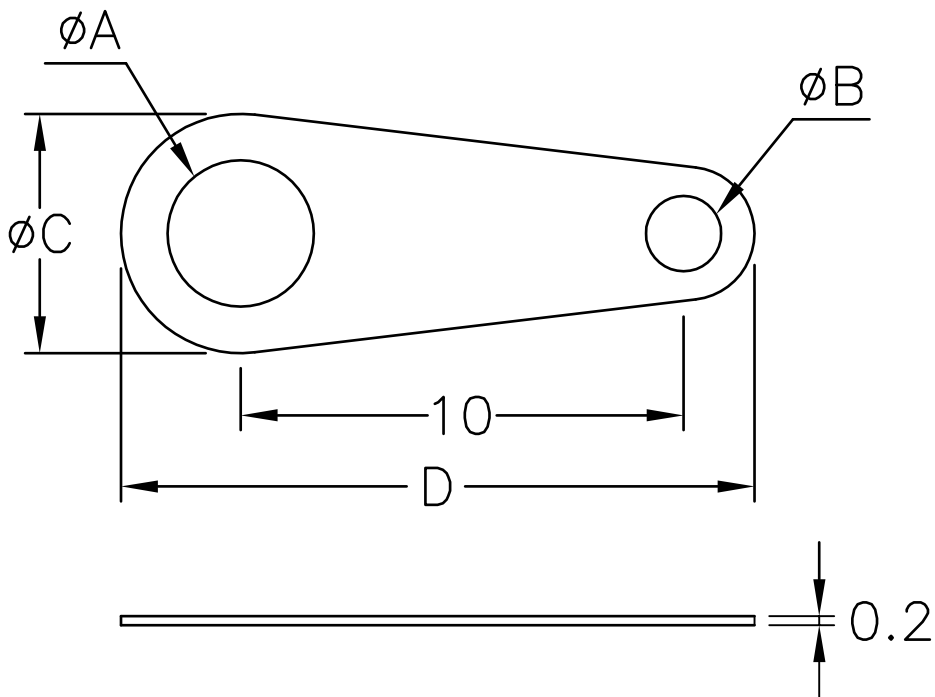


TITLE:GROUND TERMINAL

- ◆ *MATERIAL:BRASS*
- ◆ *FINISH:NICKEL PLATED*
- ◆ *UNIT:mm*



PART NO.	A	B	C	D
ST-D-32	3.2	1.6	5.5	14.3
ST-D-41	4.1	2.4	6.5	15.5

MORETHANALL
CONNECTORS
ASSEMBLIES

煜倫有限公司

PART NO. **ST-D-xx**

DWG NO. **ST-D-xx**

FILE NO.

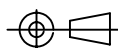
UNIT / mm

SCALE 1:1

CHECKED BY CY

DRAWING BY

PROJECTION



TOLERANCES ARE

.X ±
.XX ±
.XXX ±
AWG

DESCRIPTION:

AREA

REVISIONS

HK

DATE