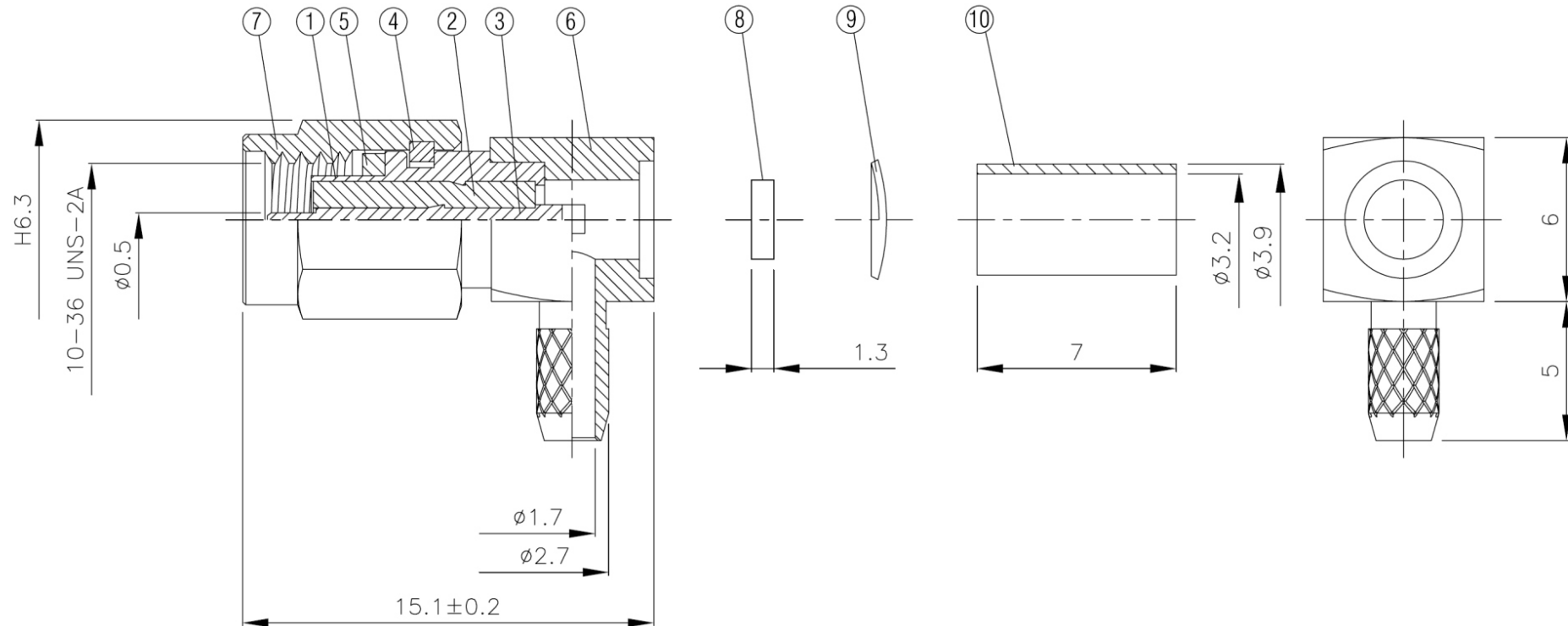
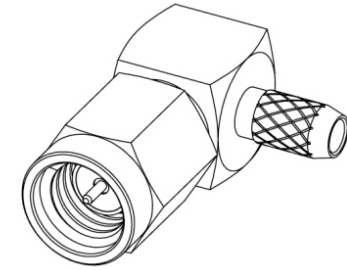


NO	DESCRIPTION	MATERIAL	Q'TY	FINISH	REMARK
1	BODY 1	BRASS	1	GOLD	B-SSMA0827-G
2	INSULATION	TEFLON	1	TEFLON	I-0402T
3	PIN	BRASS	1	GOLD	P-SSMA0587-G
4	WASHER	PH.BRONZE	1	GOLD	W-0069
5	GASKET	SI RUBBER	1	RUBBER	RU-0036
6	BODY 2	BRASS	1	GOLD	B-SMB0674-G
7	SHELL	BRASS	1	GOLD	B-SSMA0825-G
8	INSULATION	TEFLON	1	TEFLON	I-0403T
9	WASHER	BRASS	1	GOLD	W-0057-G
10	RING	BRASS	GOLD	R-0001-G	



RoHS Compliant

TOLERANCES ARE

MORETHANALL
PCB CONNECTORS
Cable ASSEMBLIES

煜倫股份有限公司

www.morethanall.com

DRAWING BY CY

CHECKED BY GENIUS

UNIT / mm

SCALE 1:1

DATE

SIZE A4

PPOJECTION

0.5-5 ±0.2
5-30 ±0.4
30-120 ±0.6
120-315 ±1
315-1000 ±1.6
1000-2000 ±2.4

照片框

ORDER INFORMATION

SMA-PCR-174-LF
SERIES | | LEADFREE
 | | RG 174
 | | 90°
 | | CRIMP
 | | MALE

DESCRIPTION: RIGHT ANGLE SMA MALE