

Technical Data:

Material:

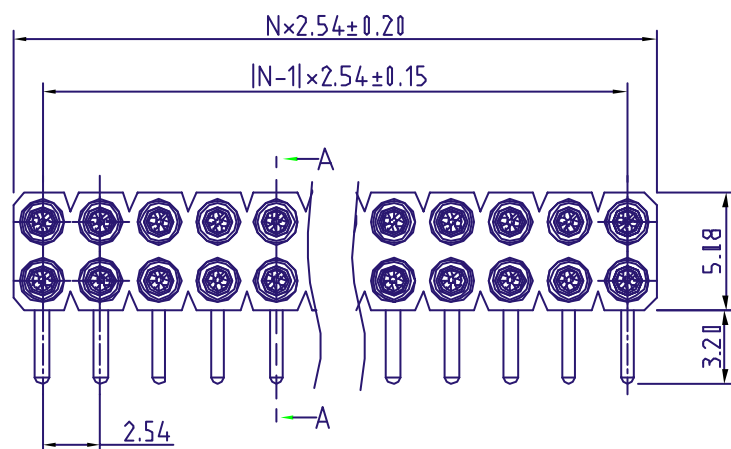
- Pin outer sleeve : Brass,machined, CuZn38Pb2
- Clip/contact 4 finger: Beryllium copper,heat treated
- Plating/outer sleeve : Tin plated:2μm/80μ"nickel,5μm/20μ"Tin
Gold plated:2μm/80μ"nickel,Full gold
- Plating/contact:2μm/80μ"nickel,gold or Tin plating
- Insulator body/housing : PPS(U/L94V-0)

Electrical

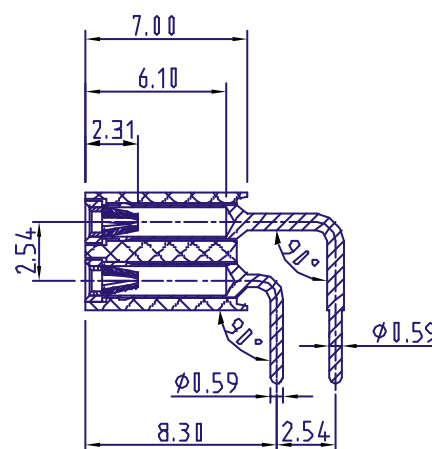
- Current rating : 3 Amps/contact max.
- Contact resistance : $4m\Omega$/contact
- Insulation resistance : >100MΩ at V=100V
- Operating : 60 vac/DC

Mechanical

- Operating temperature: Gold plated:-55°C to +125°C
continuous Tin plated:-40°C to +105°C
- Average insertion force : $250g$
- with steel pin of $\phi 0.7mm-\phi 0.8mm$
- Average withdrawal : >50g
- force with steel pin of $\phi 0.7mm-\phi 0.8mm$
- Mechanical life : min.200
- Soldering temperature : +260°C,10s max.



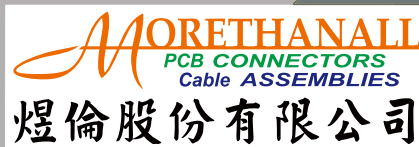
N=Number of contacts



SECTION A--A

RoHS Compliant

TOLERANCES ARE



DRAWING BY CY

CHECKED BY GENIUS

UNIT / mm SCALE 1 : 1

DATE

SIZE A4

X, ±
 .X ± 0.20
 .XX ± 0.15
 .XXX ± 0.05
 ANG ± 5°

PPOJECTION

照片框

ORDER INFORMATION

SS-R70-2Xxx-LF
 SERIES | LEADFREE
 2X02:04 WAY
 2X40:80 WAY
 HIGH 7.0mm
 DIP 90°

DESCRIPTION: 2.54mm Sip Socket R/A Single Row

www.morethanall.com