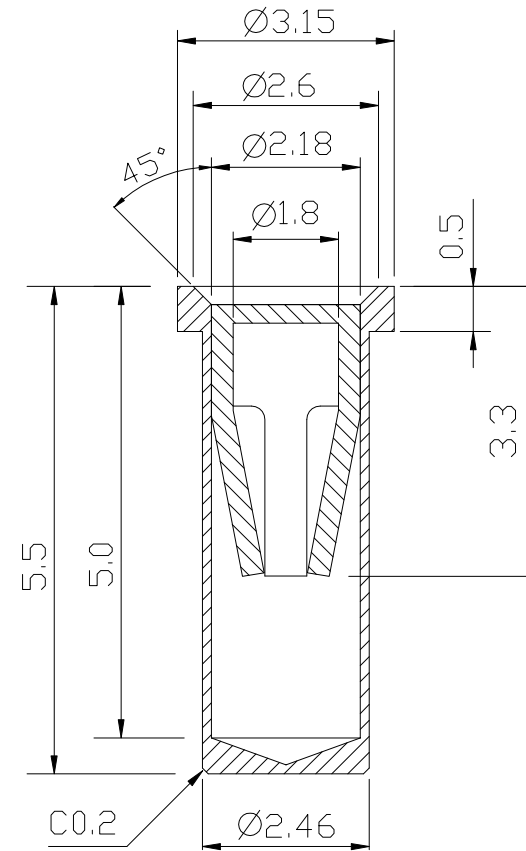


# SPECIFICATIONS:

SHELL MATERIAL : BRASS ALLOY 360,  
 SHELL FINISH:GOLD PLATED OR TIN PLATED  
 CONTACT MATERIAL: BERYLLIUM COPPER ALLOY  
 MATING PIN DIA: 1.10~1.50mm  
 MOUNTING HOLE: MIN 2.60mm



RoHS Compliant

TOLERANCES ARE

**MORETHANALL**  
 PCB CONNECTORS  
 Cable ASSEMBLIES

煜倫股份有限公司

www.morethanall.com

DRAWING BY CY

CHECKED BY GENIUS

UNIT / mm

SCALE 1:1

DATE

SIZE A4

PPOJECTION

X.  $\pm$   
 .X  $\pm$   
 .XX  $\pm$   
 .XXX  $\pm$   
 ANG  $\pm$

照片框

ORDER INFORMATION

SS-DXT-1.30-LF  
 SERIES | LEADFREE  
 DIA 1.30mm  
 WITHOUT TAIL  
 DIP 180°

DESCRIPTION: SOCKET PIN 3.15D\*2.46D\*5.5L