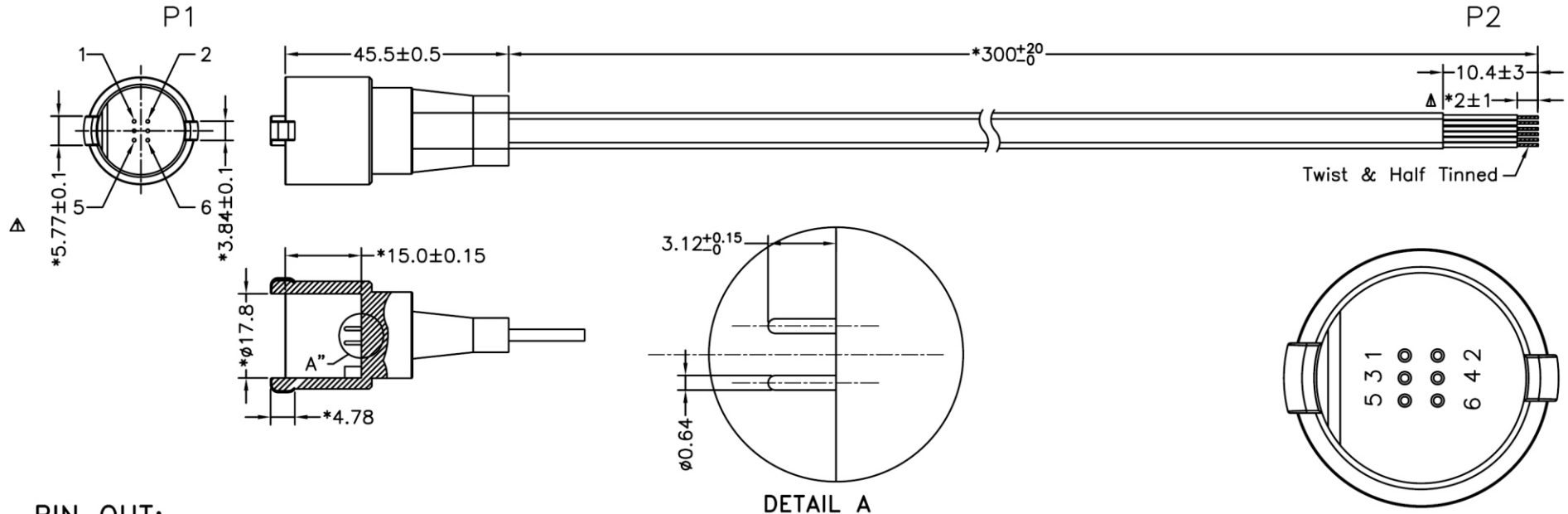


1 2 3 4 5 6 7 8 9 0

J
I
H
G
F
E
D
C
B
A



PIN OUT:

P1	P2
1	Blue
2	Yellow
3	Green
4	Red
5	Black
6	White

DETAIL A
PIN (6 Pin)

Front View

NOTE:
*Important Dimension To Check

ITEM	DESCRIPTION	Q'TY
1	2.54MM PIN HEADER 6 WAYS	1
2	NO UL 26AWG*6C FLAT CABLE OD:2.4*6.8MM COLOR:BLACK	1
3	ABS-765A MOLDING COLOR BEIGE	

SPX1-B03WP-300-LF
LEADFREE

RoHS Compliant



PART NO. **SPX1-B03WP-300**

DWG NO. **SPX1-B03WP-300**

CHECKED BY CY

TOLERANCES ARE

.X ± 0.2
.XX ±
.XXX ±
AWG

DESCRIPTION:

煜倫股份有限公司

FILE NO.

DRAWING BY

UNIT / mm

SCALE 1:1

PROJECTION



AREA

REVISIONS

HK

DATE