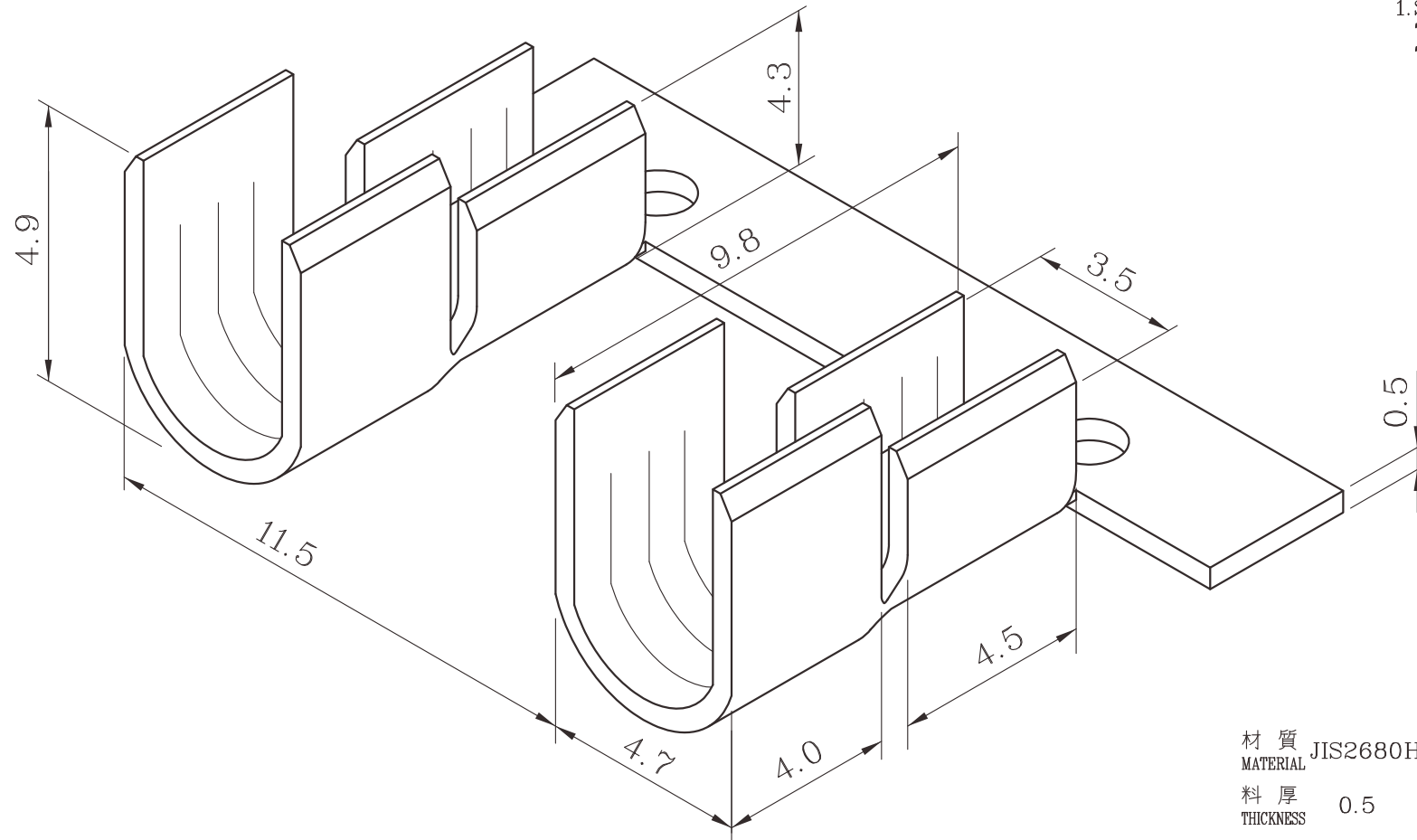


NOTE:
 1. 表面處理
 鍍錫 40u"以上

1.SURFACE TREATMENT:
 TIN PLATING
 THICKNESS MORE THAN 40u"



材質 JIS2680H 適用電線 18~14
 MATERIAL WIRE RANGE
 料厚 0.5 包裝數量 5000
 THICKNESS PACKING Q'TY PCS/R

RoHS Compliant

TOLERANCES ARE

MORETHANALL
 PCB CONNECTORS
 Cable ASSEMBLIES

煜倫股份有限公司

www.morethanall.com

DRAWING BY CY

CHECKED BY GENIUS

UNIT / mm SCALE 1 : 1

DATE

SIZE A4

X.±
 .X±
 .XX±
 .XXX±
 ANG±

PJECTION

照片框

ORDER INFORMATION

SPT-09T-14-LF
 SERIES LEADFREE
 14~18AWG
 TIN
 LONG 9.8mm

DESCRIPTION: