

产品说明 Product Description:

1.外观 Appearance:

>30CM距离, <5S目视, 无腐蚀、刮伤、氧化
 No corrosion, scratches, oxidation on surface
 Inspection condition:

Inspect from >30cm away and for <5 seconds

2.环保: 符合ROHS&REACH

RoHS&REACH compliance: Yes

电线导体规格

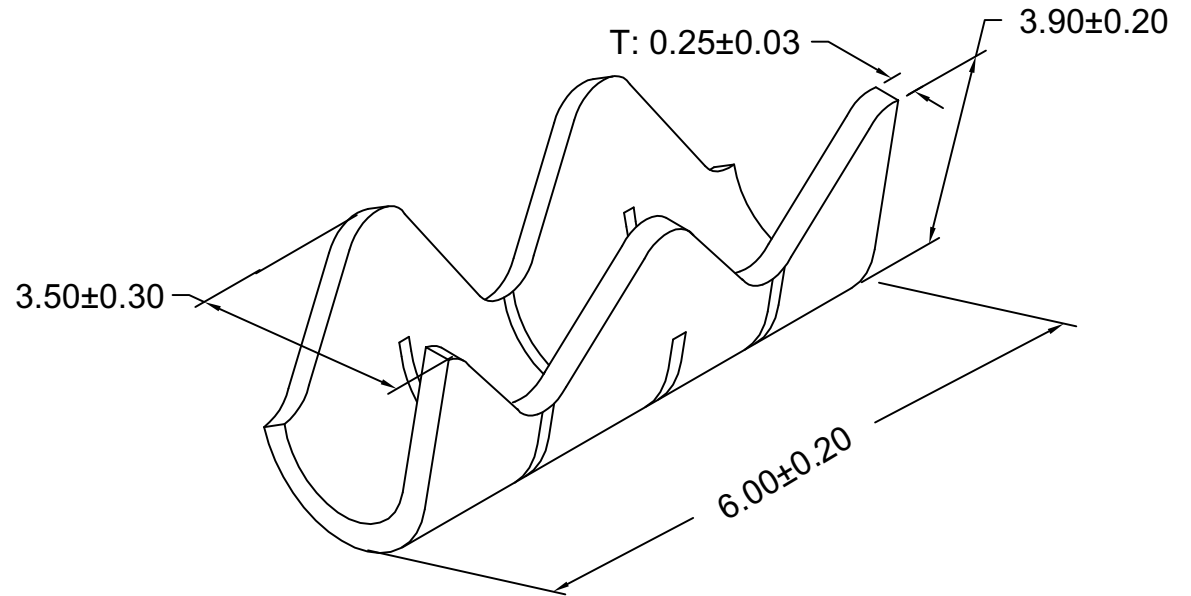
Conductor 2.5mm²

材质

Material 黄铜Brass(C2680)

包装数量

Packing Q' TY 6000Pcs/Reel



RoHS Compliant

TOLERANCES ARE

MORETHANALL
 PCB CONNECTORS
 Cable ASSEMBLIES

DRAWING BY CY

CHECKED BY GENIUS

UNIT / mm

SCALE 1:1

DATE

SIZE A4

PPOJECTION

X, ±
 .X ± 0.20
 .XX ± 0.10
 .XXX ± 0.05
 ANG ±

照片框

ORDER INFORMATION

SPT-06B-14-LF
 SERIES | LEADFREE
 | 14 AWG
 | BRASS
 | LONG 6.0mm

煜倫股份有限公司

www.morethanall.com

DESCRIPTION: