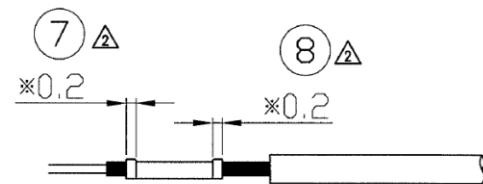
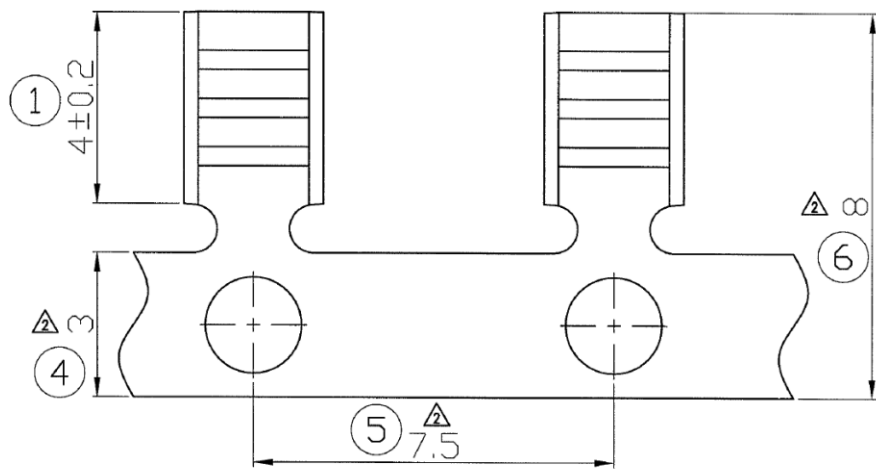
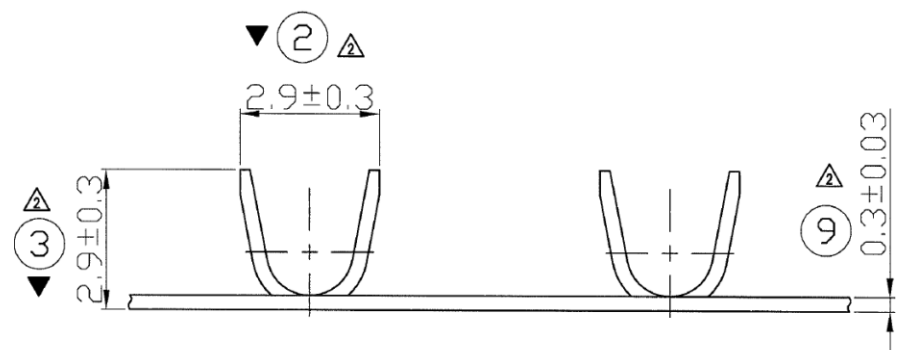


PART NO. 編號	PITCH 間距	MM ²	AWG	MATERIAL 材質	FINISH 表面處理	PACKING Q'TY 包裝數量	REMARK 備註
		線徑	WIRE SIZE				
SPT-04B-18	7.5	0.3~0.8	22~18	黃銅 BRASS	素材 NONE	20000/R	



壓著後形狀
 壓著時, 為防止斷線
 請於壓著部兩端0.2以上
 (< *印處) 壓著



RoHS Compliant		TOLERANCES ARE	
DRAWING BY CY		X, ±	
CHECKED BY GENIUS		.X, ±	
UNIT / mm	SCALE 1 : 1	.XX, ±	
DATE		.XXX, ±	
SIZE A4	PPOJECTION	ANG, ±	

ORDER INFORMATION			
SPT-04B-18-LF			
SERIES	LEADFREE		
	18~22 AWG		
	BRASS		
	LONG 4.0mm		
DESCRIPTION:			

MORETHANALL
 PCB CONNECTORS
 Cable ASSEMBLIES
 煜倫股份有限公司
 www.morethanall.com