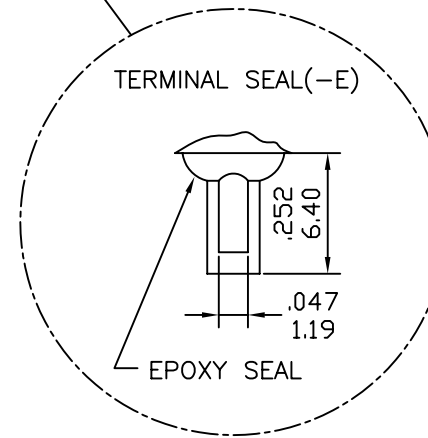


schematic



Model No.	Switching Position	
SPSW12	ON	(OFF)
Term. Comm.	1-3	1-2

RoHS Compliant

TOLERANCES ARE

MORETHANALL
PCB CONNECTORS
Cable ASSEMBLIES

煜倫股份有限公司

www.morethanall.com

DRAWING BY CY

CHECKED BY GENIUS

UNIT / mm SCALE 1 : 1

DATE

SIZE A4

X, ±
.X ± 0.30
.XX ± 0.20
.XXX ± 0.10
ANG ±

PJECTION

照片框

ORDER INFORMATION

SPSW12-D239-1X03E2-LF

SERIES

LEADFREE
03 WAY EMPTY#2
HIGH 23.9mm
DIP 180°

DESCRIPTION:

SPST Sealed Snap-Acting Momentary Pushbutton Switches