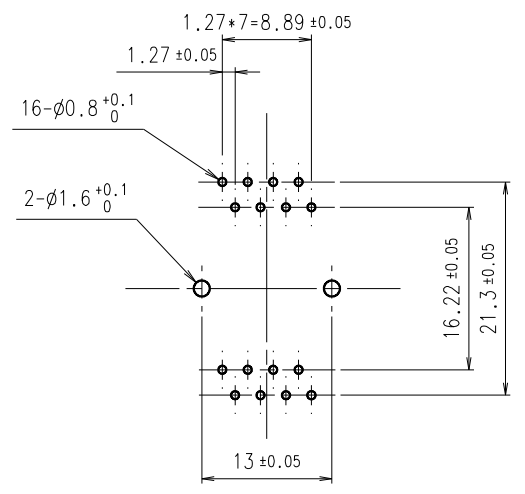
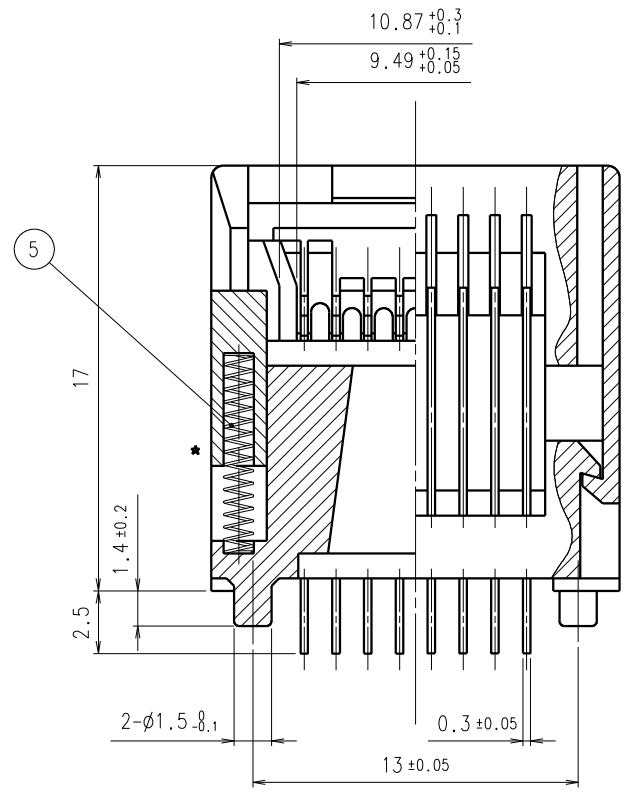


MATCHING DEVICE  
適合デバイス寸法 (S=2:1)

SPECIFICATION 仕様	
CONTACT RESISTANCE 接触抵抗	50mΩ or less at 10mA (INITIAL)
DIELECTRIC WITHSTANDING VOLTAGE 耐电压	700 V.A.C for 1 minute
INSULATION RESISTANCE 絶縁抵抗	1,000 MΩ or more at 500V.D.C
RATED CURRENT 定格電流	1A
OPERATING TEMPERATURE 使用温度	-65℃~150℃
RETENTION FORCE 端子抜け強度	0.5kgf for 1 minute
INSERTION 寿命	10,000 cycle (MECHANICAL)
ACTUATION FORCE カバ一作動力	MAX. 1.2 kgf



P.C.B PATTERN (TOP VIEW)  
プリント基板取り付け穴位置 (S=2:1)

符号 SYM.	圖番 DWG. NO.	品名 NAME	材料 MAT'L	個数 Q'TY
*	56-112-033-01	COIL SPRING	SUS	2
	55-110-317-01	CONTACT FOR FP BQ0	BeCu	8
	55-110-316-01	CONTACT FOR FP BPO	BeCu	8
	55-290-662-01	COVER	PES	1
	55-290-661-01	BODY	PEI	1

SOP-D-16-LF  
LEADFREE  
RoHS Compliant



焜倫股份有限公司

PART NO. SOP-D-16		CHECKED BY CY	TOLERANCES ARE .X ± 0.2 .XX ± .XXX ± AWG	DESCRIPTION: IC SOCKET	AREA	REVISIONS	HK	DATE
DWG NO. SOP-D-16								
FILE NO.		DRAWING BY	TOLERANCES ARE .X ± 0.2 .XX ± .XXX ± AWG	DESCRIPTION: IC SOCKET	AREA	REVISIONS	HK	DATE
UNIT / mm	SCALE 1:1							