

THE TOP VIEW WITHOUT COVERS

NOTES:

- 1.MATERIAL:
 - 1).HOUSING:LCP,UL-94V0,BLACK.
 - 2).COVER:LCP,UL-94V0,BLACK.
 - 3).CONTACT:Phosphor Bronze.
- 2.FINISH:SEE TABLE
- 3.RoHS COMPLIANT. HF COMPLIANT
- 4.ELECTRICAL PERFORMANCE
 - Contact resistance:30mΩ MAX.
 - Insulation resistance:1000MΩ MIN
- 5.MECHANICAL PERFORMANCE
 - Durability:25 cycles
- 6.IR REFLOW TEMPERATURE:250°C±10°C FOR 10 SECONDS MAX.

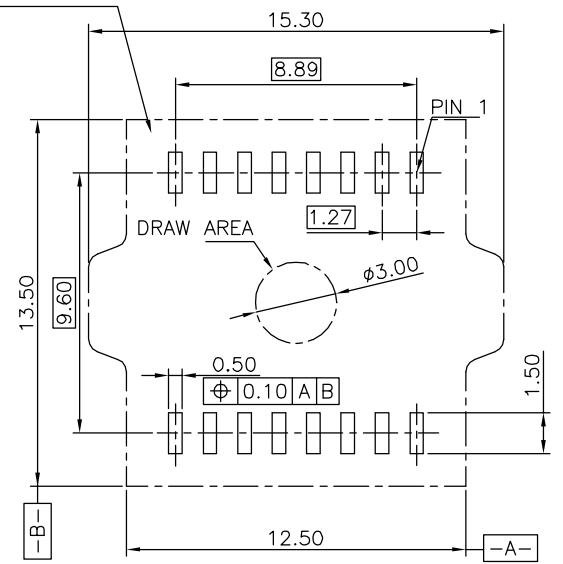
SOIC-VXR-16-LF
LEADFREE
RoHS Compliant

MORETHANALL
CONNECTORS
ASSEMBLIES

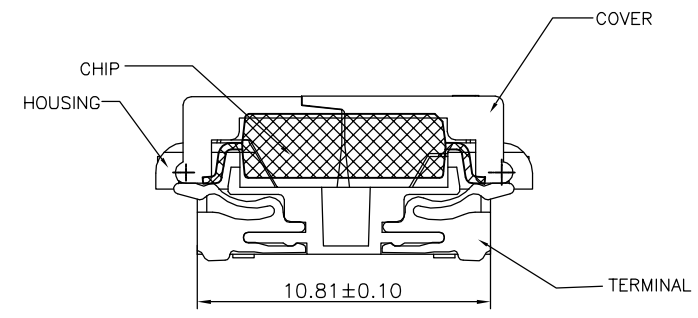
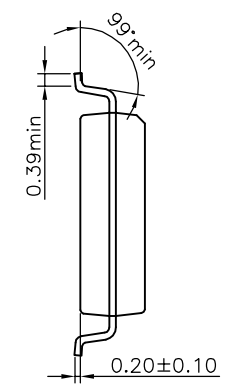
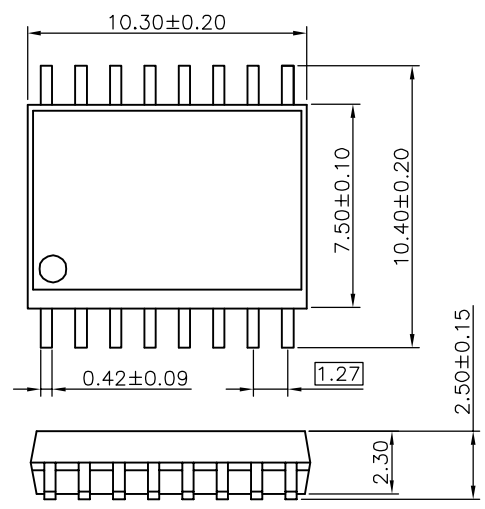
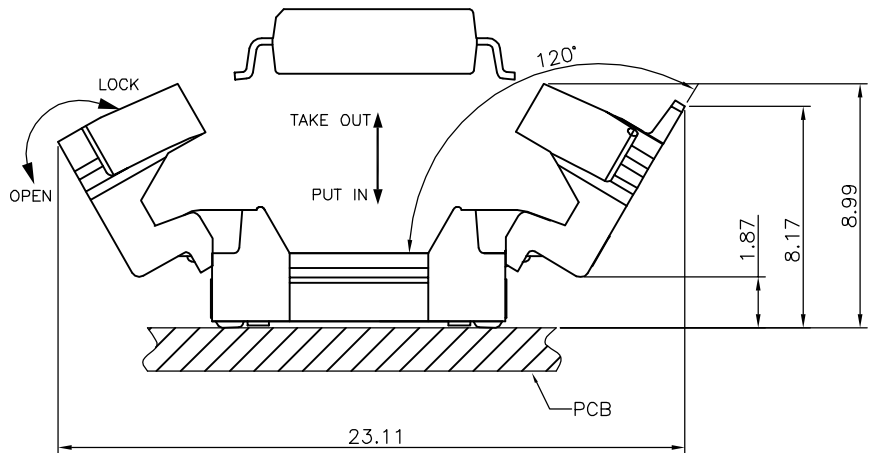
煜倫股份有限公司

PART NO. SOIC-VXR-16		CHECKED BY CY	TOLERANCES ARE X ± .X ± 0.35 .XX ± 0.25 .XXX ± 0.15 ANG	DESCRIPTION: SPI FLASH SOCKET FOR SOIC 16PIN	AREA	REVISIONS	DATE
DWG NO. SOIC-VXR-16							
FILE NO.		PROJECTION					
UNIT / mm	SCALE 1:1						

RECOMMENDED MATING
ASSY'S OUTLINE



RECOMMENDED PCB LAYOUT FOR USE
CONNECTOR MOUNTING SIDE



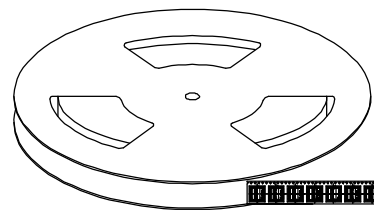
MORETHANALL
CONNECTORS
ASSEMBLIES

焯倫股份有限公司

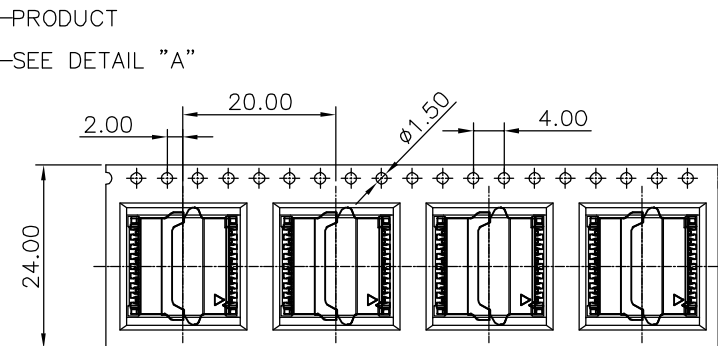
PART NO. SOIC-VXR-16	
DWG NO. SOIC-VXR-16	
FILE NO.	
UNIT / mm	SCALE 1:1

CHECKED BY CY	TOLERANCES ARE X. ± .X ± 0.35 .XX ± 0.25 .XXX ± 0.15 ANG
DRAWING BY	
PROJECTION	

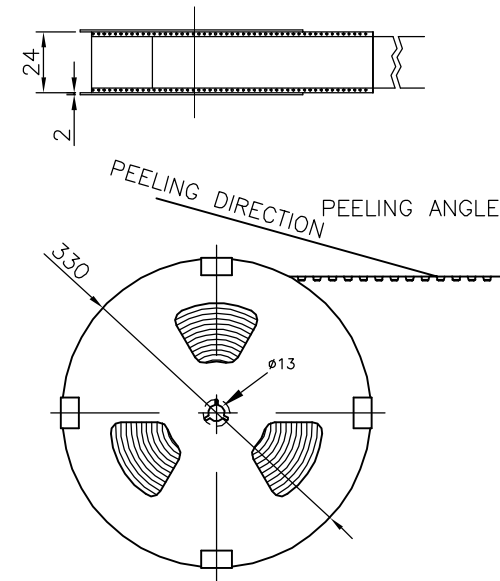
DESCRIPTION: SPI FLASH SOCKET FOR SOIC 16PIN	
AREA	REVISIONS
DATE	



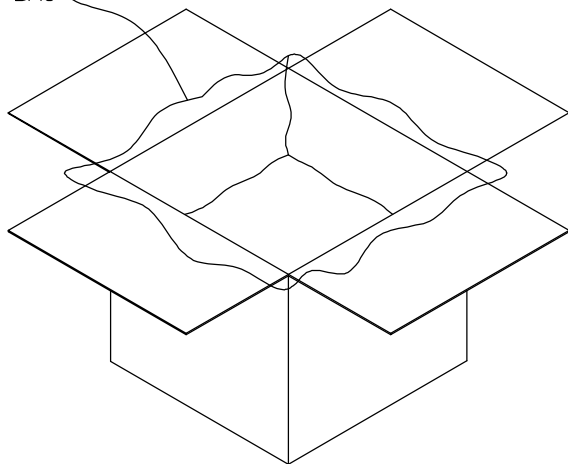
THE HEAD AND TAIL EMPTY 25 PCS



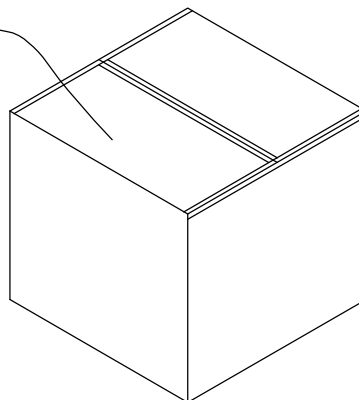
DETAIL "A"



PE BAG



CARTON



NOTES:

- 1.THE OPERATION OF PACKING REFER THE LEFT PROCESS.
- 2.PACKING LIST.

DESCRIPTION	SPECIFICATION	QTY(PCS)
PRODUCT	SEE TABLE 1	1650
CARTON	340*340*93;C=5	1
REEL	W=24.4;13"	3
CARRY TAPE	24*20*6;PS_BLACK	12*4M
COVER TAPE	0.045*21.3;PE_WHITE	12*4M
PE BAG	520*520*460;T=0.05mm	1
AIR DUNK	270*270,ONE FACE	2
DESICCANT	2g/BAG	4BAG

MORETHANALL
CONNECTORS
ASSEMBLIES

煜倫股份有限公司

PART NO. SOIC-VXR-16

DWG NO. SOIC-VXR-16

FILE NO.

UNIT / mm

SCALE 1:1

CHECKED BY CY

DRAWING BY

PROJECTION

TOLERANCES ARE

X. ±
.X ±
.XX ±
.XXX ±
ANG

DESCRIPTION:

AREA

REVISIONS

DATE