

THE TOP VIEW WITHOUT COVERS

NOTES:

- 1.MATERIAL:
 - 1).HOUSING:LCP,UL-94V0,BLACK.
 - 2).COVER:LCP,UL-94V0,BLACK.
 - 3).CONTACT:Phosphor Bronze.
- 2.FINISH:SEE TABLE
- 3.RoHS COMPLIANT. HF COMPLIANT
- 4.ELECTRICAL PERFORMANCE
 - Contact resistance:30mΩ MAX.
 - Insulation resistance:1000MΩ MIN
- 5.MECHANICAL PERFORMANCE
 - Durability:25 cycles
- 6.IR REFLOW TEMPERATURE:250°C±10°C FOR 10 SECONDS MAX.

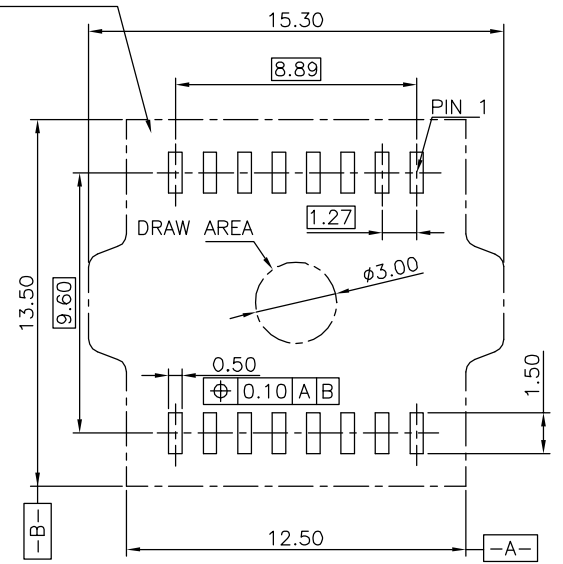
SOIC-VX-16-LF
LEADFREE
RoHS Compliant

MORETHANALL
CONNECTORS
ASSEMBLIES

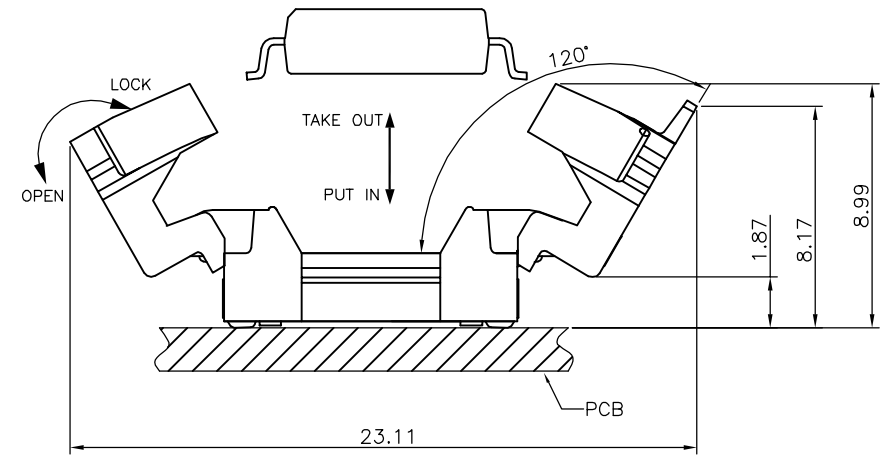
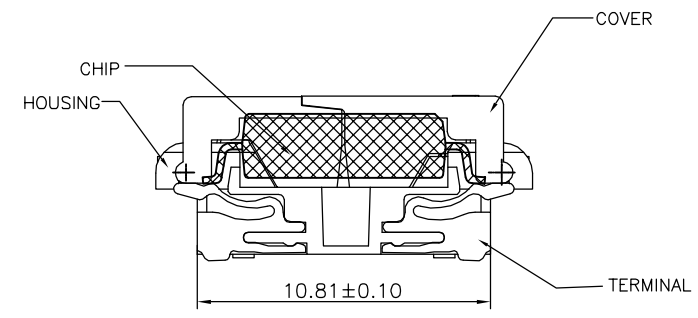
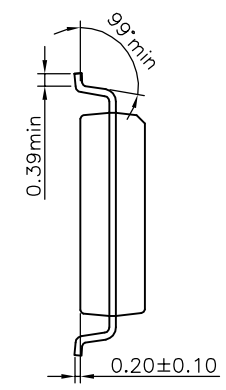
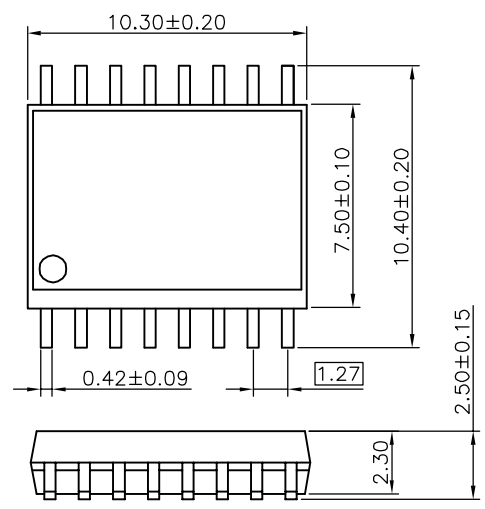
煜倫股份有限公司

PART NO. SOIC-VX-16		CHECKED BY CY		TOLERANCES ARE X ± .X ± 0.35 .XX ± 0.25 .XXX ± 0.15 ANG	DESCRIPTION: SPI FLASH SOCKET FOR SOIC 16PIN
DWG NO. SOIC-VX-16		DRAWING BY			
FILE NO.		PROJECTION		AREA	REVISIONS
UNIT / mm	SCALE 1:1			DATE	

RECOMMENDED MATING
ASSY'S OUTLINE



RECOMMENDED PCB LAYOUT FOR USE
CONNECTOR MOUNTING SIDE



MORETHANALL
CONNECTORS
ASSEMBLIES

焯倫股份有限公司

PART NO. SOIC-VX-16

DWG NO. SOIC-VX-16

FILE NO.

UNIT / mm

SCALE 1:1

CHECKED BY CY

DRAWING BY

PROJECTION

TOLERANCES ARE
X. ±
.X ± 0.35
.XX ± 0.25
.XXX ± 0.15
ANG

DESCRIPTION:	SPI FLASH SOCKET FOR SOIC 16PIN		
AREA	REVISIONS	DATE	