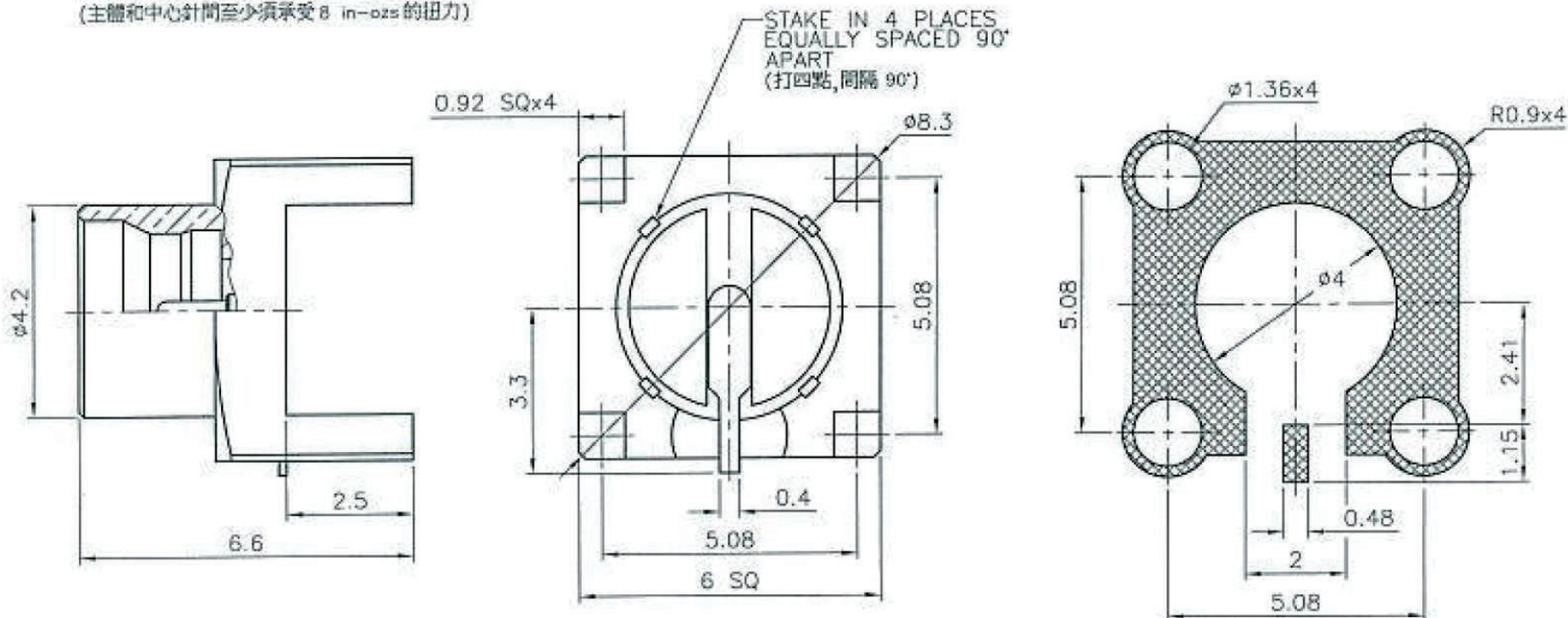


REMARK: BETWEEN BODY AND CONTACT PIN MUST WITHSTAND 8 in-ozs MIN. TORQUE FORCE.
(主體和中心針間至少須承受 8 in-ozs 的扭力)



- NOTES: FINISH (PLATING THICKNESS IN MICRO-INCHES)
1. BRASS PER QQ-B-626
 2. GOLD PL 3 MIN OVER NICKEL PL 70 MIN THICK OVER COPPER STRIKE
 3. GOLD PL 30 MIN OVER NICKEL PL 70 MIN THICK OVER COPPER STRIKE

RECOMMENDED SOLDERING PADS (建議焊錫位置)

CONTACT PIN	NOTE 1	NOTE 3	
INSULATOR	LCP+30%GF	BLACK	
BODY	NOTE 1	NOTE 2	
DESCRIPTION	MATERIAL	FINISH	QTY

RoHS Compliant

TOLERANCES ARE

MORETHANALL
PCB CONNECTORS
Cable ASSEMBLIES

煜倫股份有限公司

www.morethanall.com

DRAWING BY CY

CHECKED BY GENIUS

UNIT/mm

SCALE 1:1

DATE

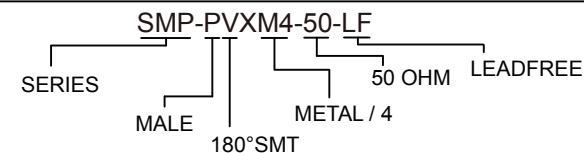
SIZE A4

P PROJECTION

X, ±
.X ±
.XX ±
.XXX ±
ANG ±

照片框

ORDER INFORMATION



DESCRIPTION: