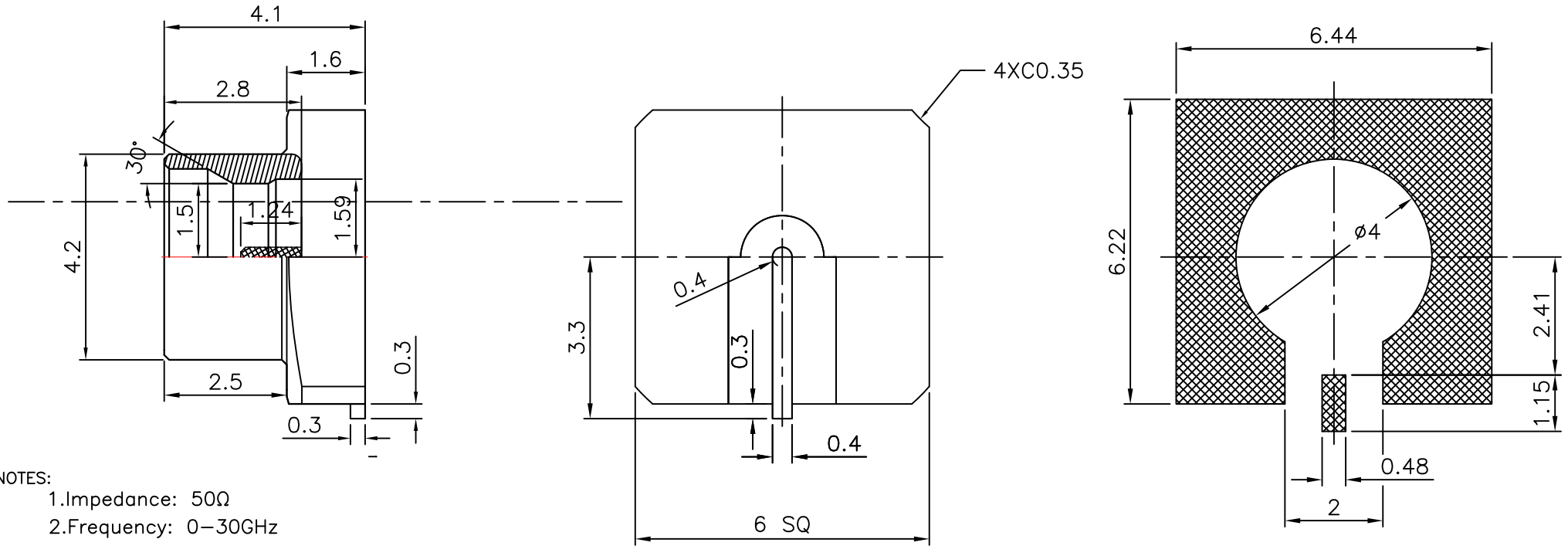


REMARK: BETWEEN BODY AND CONTACT PIN MUST WITHSTAND 8 in-ozs MIN. TORQUE FORCE.



NOTES:

1. Impedance: 50 Ω
2. Frequency: 0-30GHz
- 3 VSWR
 - A. DC-18GHz:1.15
 - B. 18-26GHz:1.2
 - C. 26-40GHz:1.7
4. Finish(μ in)
 - A: Body:C5411. Gold Plated 3 min. Nickel Plated 70 min. Over copper strike.
 - B: Electrode:C5411. Gold Plated 3 min. Nickel Plated 70min. Over copper strike.

RECOMMENDED PCB LAYOUT

	CONTACT PIN	NOTE 4	NOTE 4	
	INSULATOR	LCP+30%GF	BLACK	
	BODY	NOTE 4	NOTE 4	
NO.	DESCRIPTION	MATERIAL	FINISH	Q'TY

RoHS Compliant

TOLERANCES ARE

MORETHANALL
PCB CONNECTORS
Cable ASSEMBLIES

煜倫股份有限公司

www.morethanall.com

DRAWING BY CY	
CHECKED BY GENIUS	
UNIT / mm	SCALE 1 : 1
DATE	
SIZE A4	P PROJECTION

0.5~6	= ±0.2
>6~30	= ±0.4
>30~120	= ±0.6
>120~315	= ±1
>315~1000	= ±1.6
ANGLES(角度)	= ±5°

照片框

ORDER INFORMATION

SMP-PVX-50-LF
SERIES | LEADFREE
50 OHM
NON POST
DIP 180°
MALE

DESCRIPTION: SMP JACK PCB MOUNT