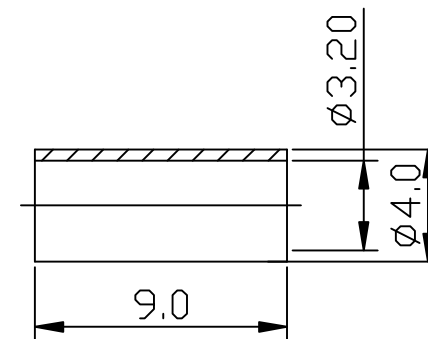
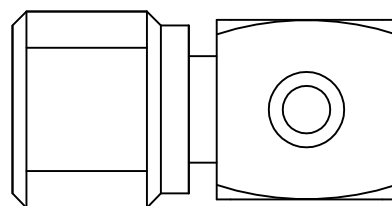


5	FERRULE	BRASS	GOLD	1
4	PIN	BRASS	GOLD	1
3	INSULATOR	BRASS	GOLD	1
2	CAPC	TEFLON	NOLD	1
1	NUT	BRASS	GOLD	1
	DESCRIPTION	MATERIAL	FINISH	QTY



RoHS Compliant

TOLERANCES ARE

**MORETHANALL**  
PCB CONNECTORS  
Cable ASSEMBLIES

煜倫股份有限公司

www.morethanall.com

DRAWING BY CY

CHECKED BY GENIUS

UNIT / mm

SCALE 1 : 1

DATE

SIZE A4

PPOJECTION

0.5-5 =±0.2  
5-30 =±0.4  
30-120 =±0.6  
120-315 =±1  
315-1000 =±1.6  
1000-2000 =±2.4

照片框

ORDER INFORMATION

SMC-PCR-316-LF  
SERIES LEADFREE  
RG 316  
90°  
CRIMP  
MALE

DESCRIPTION: SMC male R/A for RG316U 50ohm