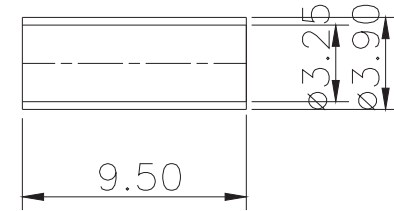
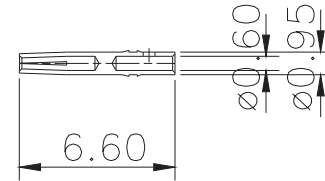
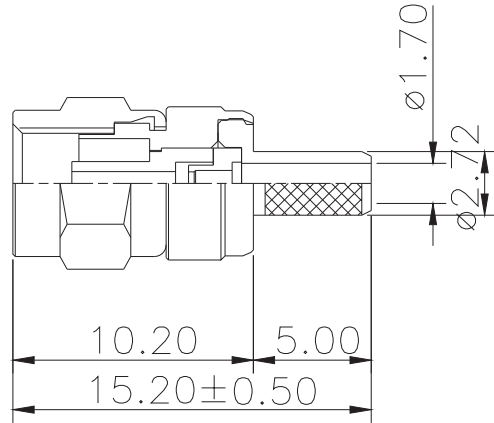




6.35HEX

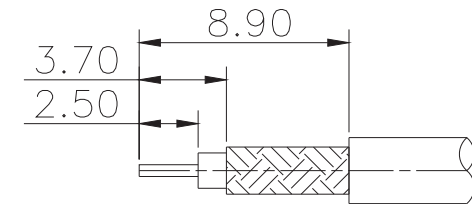


ROHS Compliant

- 1. CRIMPED FERRULE HEX CRIMP SIZE .128"
- 2. CONTACT PIN TO SOLDER

NOTES: FINISH (PLATING THICKNESS IN MICRO-INCHES)  
GOLD PL. 3 MICROINCH MINIMUM

7	FERRULE	BRASS	1	GOLD PLATED
6	CONTACT PIN	Be.copper	1	GOLD PLATED
5	REAR BODY	BRASS	1	GOLD PLATED
4	INSULATOR	TEFLON	1	NATURAL
3	INSULATOR	TEFLON	1	NATURAL
2	BODY	BRASS	1	GOLD PLATED
1	SHELL	BRASS	1	GOLD PLATED
ITEM	DESCRIPTION	MATERIAL	Q'TY	FINISHED



RECOMMENDED  
CABLE STRIPPING DIM'S

SMC-PC-174-LF  
LEADFREE

RoHS Compliant



PART NO. SMC-PC-174

DWG NO. SMC-PC-174

FILE NO.

UNIT / mm

SCALE 1:1

CHECKED BY CY

DRAWING BY

PROJECTION



TOLERANCES ARE

.X ± 0.2  
.XX ±  
.XXX ±  
AWG

DESCRIPTION:

SMC STRAIGHT PLUG CRIMP FOR RG174U

AREA

REVISIONS

HK

DATE

煜倫股份有限公司