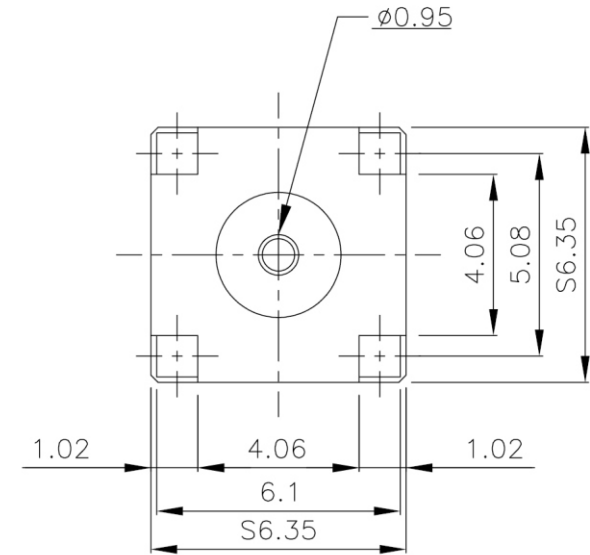
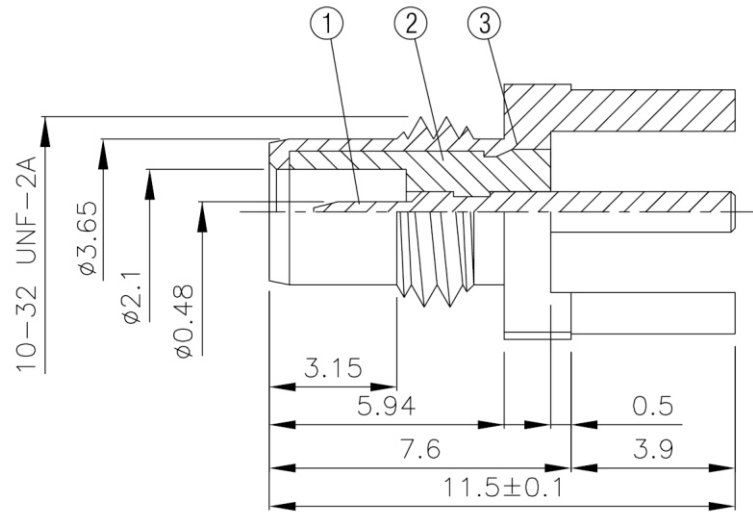
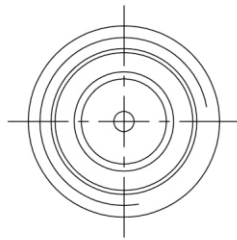
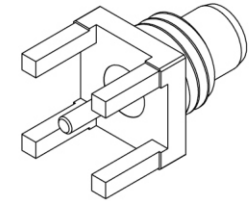


NO	DESCRIPTION	MATERIAL	Q'TY	FINISH	REMARK
1	PIN	BRASS	1	GOLD	P-SMB0125-G
2	INSULATION	TEFLON	1	TEFLON	I-0031T
3	BODY	BRASS	1	NICKEL	B-SMC0197-N



SMC-JD-50-LF
LEADFREE
RoHS Compliant

MORETHANALL
CONNECTORS
ASSEMBLIES

PART NO. SMC-JD-50

DWG NO. SMC-JD-50

CHECKED BY CY

TOLERANCES ARE

FILE NO.

DRAWING BY

.X ± 0.2

DESCRIP TION:

焯倫股份有限公司

UNIT / mm

SCALE 1:1

PROJECTION

.XX ± 0.1
.XXX ±
AWG

AREA

REVISIONS

HK

DATE