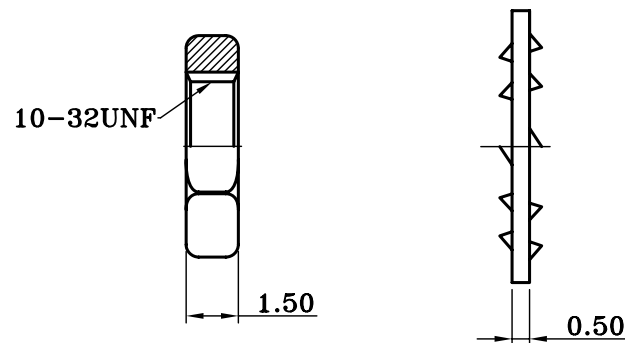
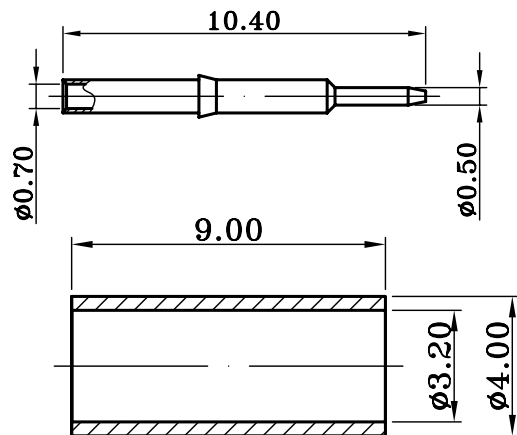


ITEM	ITEM NAME	MATERIAL	Q'TY/EA
7	NUT		1
6	WASHER		1
5	SLEEVE	BRASS	1
4	INSULATOR	TEFLON	1
3	CONDUCTOR	BRASS	1
2	BODY-2	BRASS	1
1	BODY-1	BRASS	1



SMB-JCPB-316-LF
LEADFREE
RoHS Compliant

MORETHANALL
CONNECTORS
ASSEMBLIES

煜倫股份有限公司

PART NO. SMB-JCPB-316		CHECKED BY CY	TOLERANCES ARE .X ± 0.2 .XX ± .XXX ± AWG	DESCRIPTION:			
DWG NO. SMB-JCPB-316							
FILE NO.		PROJECTION	AREA	REVISIONS	HK	DATE	
UNIT / mm	SCALE 1:1						